

## fi dali-dmx 4e

4 ch. DALI to DMX interface

DALI signal converter with DMX output for safe and simple dimming of DMX receivers.



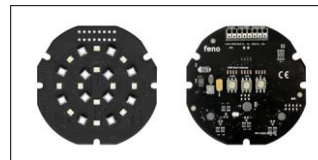
### Properties

- safe galvanic separation of DALI inputs and DMX outputs (SELV) to EN 60950
- simple control of RGB and RGBW lighting via DALI with 4-channel configuration
- low-loss power supply with international input voltage range
- plastic housing construction with cable grip

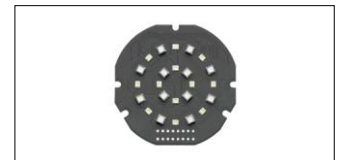
### Ordering Information

Product name	<b>fi dali-dmx 4e</b>
Item number	0000 4162

### Combinable with the following feno products



fm s.disc 5900 rgbw



fm s.disc 5901 rgbw

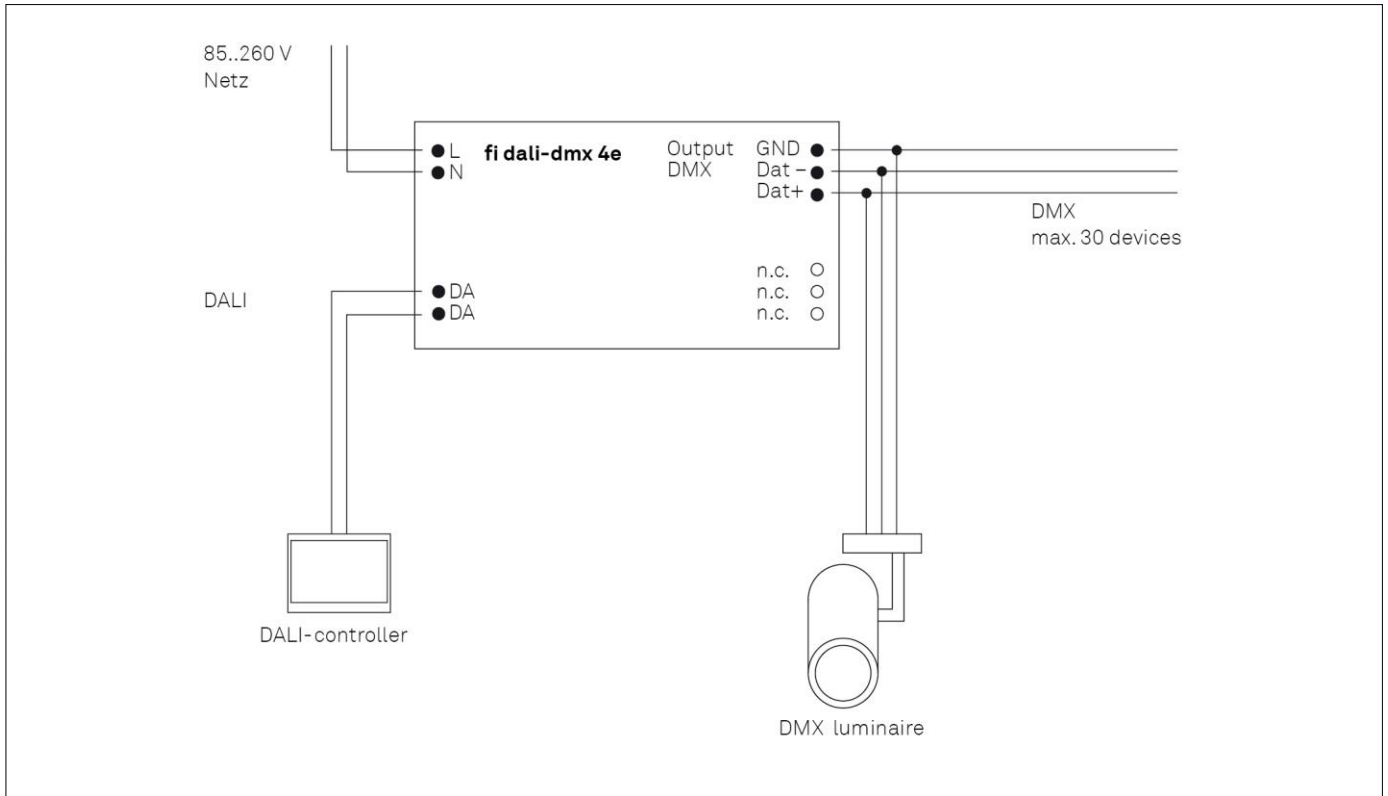


fm s.disc 7200 w

## fi dali-dmx 4e

4 ch. DALI to DMX interface

### Wiring Diagram



### Technical Details

Supply voltage	85..260 V, 50/60 Hz
Power consumption	0,02 A max.
Control inputs	1
Control signal	DALI
Outputs	1
Output channels	4
Output signal	DMX
Galvanic isolation	yes
Outputs short circuit proof	yes
Ambient temperature	-20..45 °C
Dimensions (L/W/H)	167 x 42 x 31 mm
Weight	110 g

### Standards

EN 61347-1  
 EN 61347-2-11  
 EN 60950-1  
 EN 61547  
 EN 55015  
 EN 61000-3-2  
 EN 61000-3-3