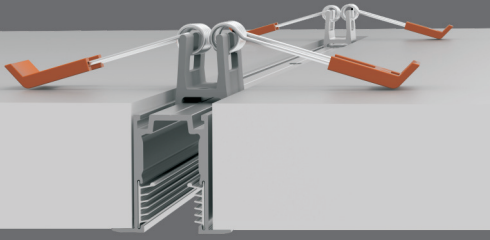
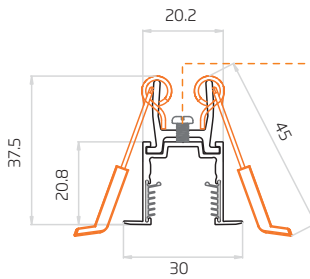


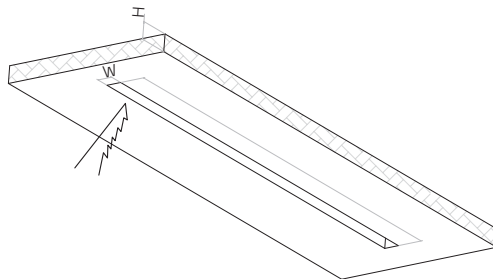
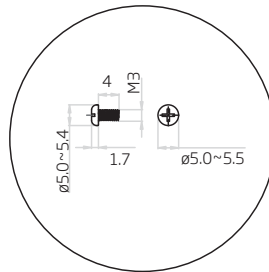
Ceiling Mounting Clip



Item Code: CM/C



Screw PM3*4 1pc

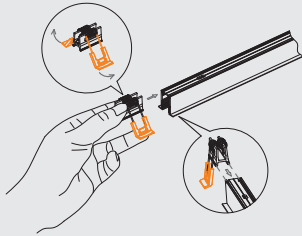


The width applicable to F22: 22~25mm
The thickness of ceiling: 5~50mm

Note:
Only applicable to flanged serrated aluminum profile.

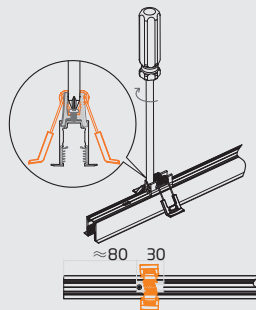
Installation Instructions

▶ Step 1



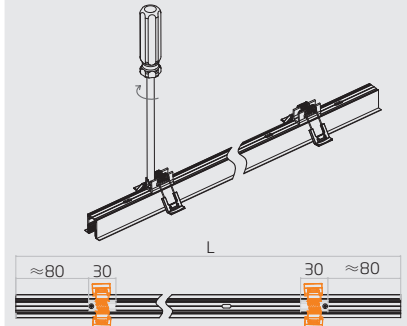
Unfold the spring a little and slide to groove of mounting profile.

▶ Step 2



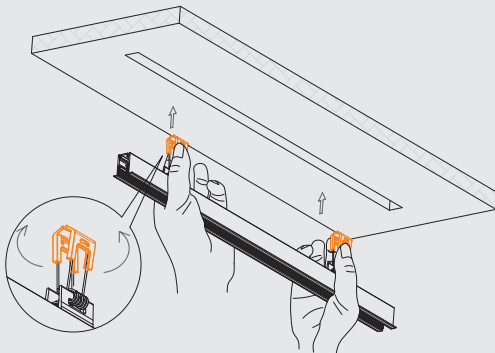
Slide forward ceiling mounting bracket 80mm and fix the screw tightly.

▶ Step 3



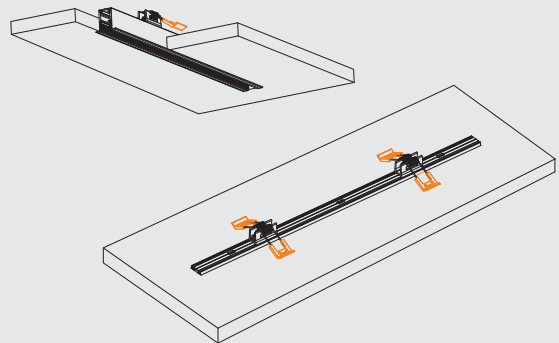
Repeat step 1 & step 2 for the remaining brackets and secure at least 2 locking points for each mounting profile and the equal interval is more recommended.

▶ Step 4



Mark and then slot the ceiling as instructed.

▶ Step 5



Hold the springs with hands and loosen them after clipping into the ceiling.