

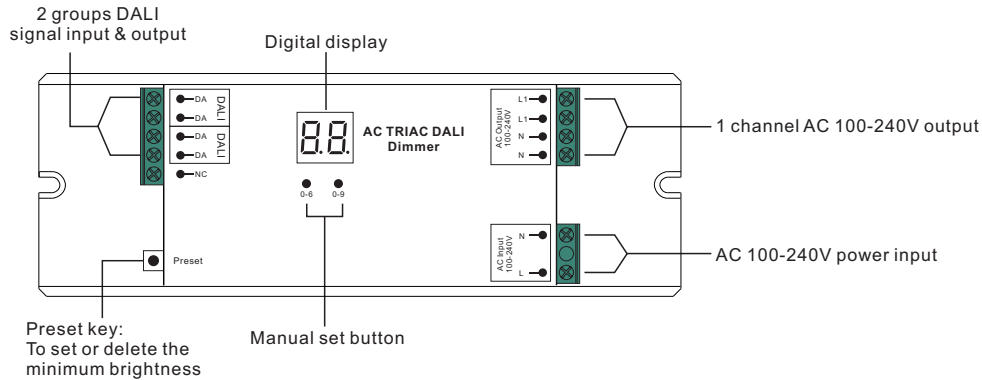
# 1 Channel AC TRIAC DALI Dimmer

70040033



**Important:** Read All Instructions Prior to Installation

## Function introduction



## Product Data

Input Voltage	Output Voltage	Output Current	Output Power	Size(LxWxH)
100-240VAC	1x(100-240)VAC	1x2.2A	500W	170x59x29mm

Compatible Load Types			
Load Symbol	Load Type	Maximum Load	Remarks
	Dimmable LED lamps	1*110W @ 100V output, 1*250W @ 240V output	Due to variety of LED lamp designs, maximum number of LED lamps per channel is further dependent on power factor result when connected to dimmer.
	Dimmable LED drivers	1*110W @ 100V output, 1*250W @ 240V output	Maximum permitted number of drivers per channel is 110W/250W divided by driver nameplate power rating.
	Incandescent lighting, Halogen 240V lamps	1*220W @ 100V output, 1*500W @ 240V output	
	Low voltage halogen lighting with electronic transformers	1*110W @ 100V output, 1*250W @ 240V output	

- In compliance with IEC 62386-101:2014, IEC 62386-102:2014, IEC 62386-207 Ed2.
- Built-in DALI-2 interface, DALI DT6 device
- Match all DALI systems in the market
- Safe and reliable full isolation design
- Reverse-phase control dimmer

- Supports resistive loads and capacitive loads
- Great compatibility with a variety of DALI master controllers
- 1 channel AC100-240V output
- Innovative minimum brightness setting function
- To dim and switch single color dimmable LED lamps, traditional incandescent and halogen light
- Waterproof grade: IP20

## Safety & Warnings

- DO NOT install with power applied to the device.
- DO NOT expose the device to moisture.

## Operation

### 1. Set DALI Address Manually Via Buttons

- 1.1. Press and hold down any of the two buttons until numeric digital display flashes, then release the button.
- 1.2. Click any of the two buttons once to select a digit, click again to change the digit until the desired DALI address appears. Click first button to set "tens" position and second button to set "units" position. The address can be set from 00~63.
- 1.3. Then press and hold down any of the 2 buttons until the numeric digital display stops flashing to confirm the setting.

**Note:** DALI address can be manually assigned from 00-63-FF, by factory defaults, no DALI address is

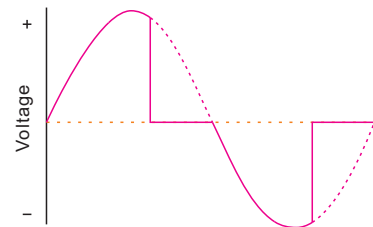
assigned for the driver, and the display shows **FF**. Setting DALI address as **FF** will reset the dimmer to factory defaults.

### 2. DALI Address Assigned by DALI Masters.

2.1 DALI address can also be assigned by DALI Master controller automatically, please refer to user manuals of compatible DALI Masters for specific operations.

**Note:** The digital display will show **AU** when the DALI master is assigning addresses.

### 3. Reverse-phase control dimmer



### 4. Set the minimum dimming brightness point.

The factory dimming range is 1%~100%, but the 1% can be re-set as below:

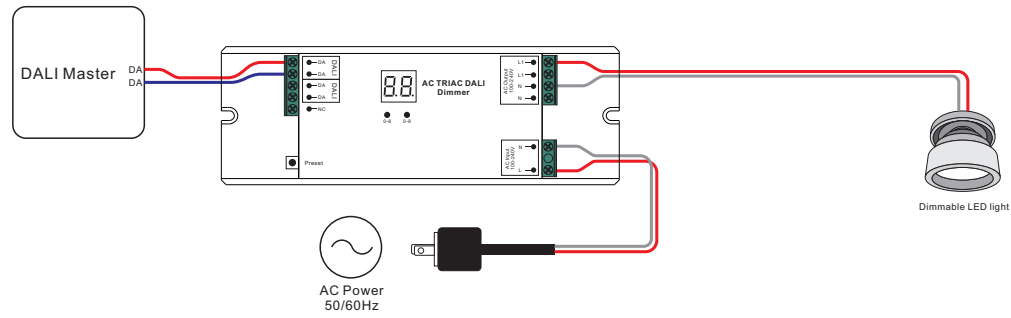
Operate the DALI master to dim the light to any brightness you want, then press and hold down the Preset button until the light flashes, which means the minimum point is set at this brightness now. You can not dim lower than this brightness point. The minimum point will be covered by repeating doing that.

How to reset it to factory defaults: dim up light to 100% , then press Preset button until the light flashes.

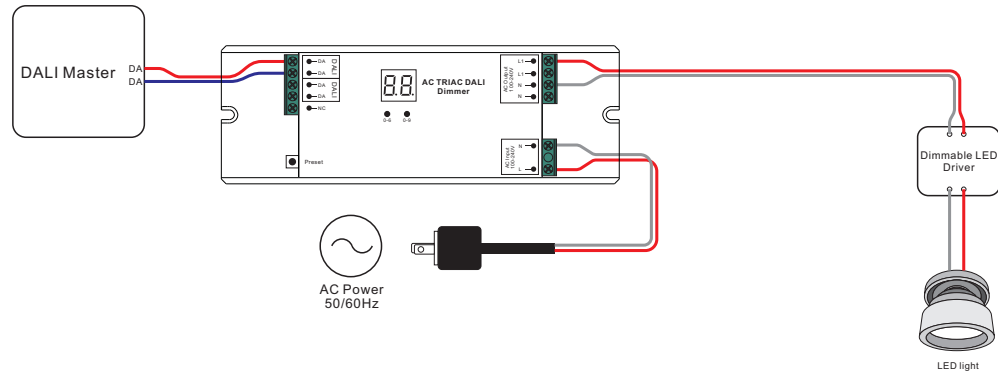
**Note:** The dimming range of this dimmer is 1%-100%, but some load types may flicker when dimmed to 1%, thus a minimum brightness shall be set higher than 1% to avoid flickering during dimming process.

## Wiring Diagram

(1) With dimmable LED light



(2) With dimmable LED driver



This phase dimmer adopts trailing edge dimming (reverse phase control), please make sure the connected loads support reverse phase control. Please refer to the user manual of the load or consult the supplier of the load.

## Product Dimension

