

fd booster 3-48e

RGB PWM booster

RGB PWM dimmer amplifier with three 3A constant voltage output for galvanically separated power amplification of RGB LED dimmers.



Properties

- Robust constant voltage amplifier with high current capacity
- Protected against short-circuit and overtemperature
- Allows different supply voltages within a dimming range
- Plastic housing construction with cable grip
- Wider input frequency range, 100-1000 Hz
- Can also be used as a 1-channel device with 9 A by connecting the inputs and outputs in parallel

Ordering Information

Product name	fd booster 3-48e
Item number	0000 4029

Combinable with the following feno products



fd sequencer 3-48e



fd analog 3-48e



fd dali 3-48e

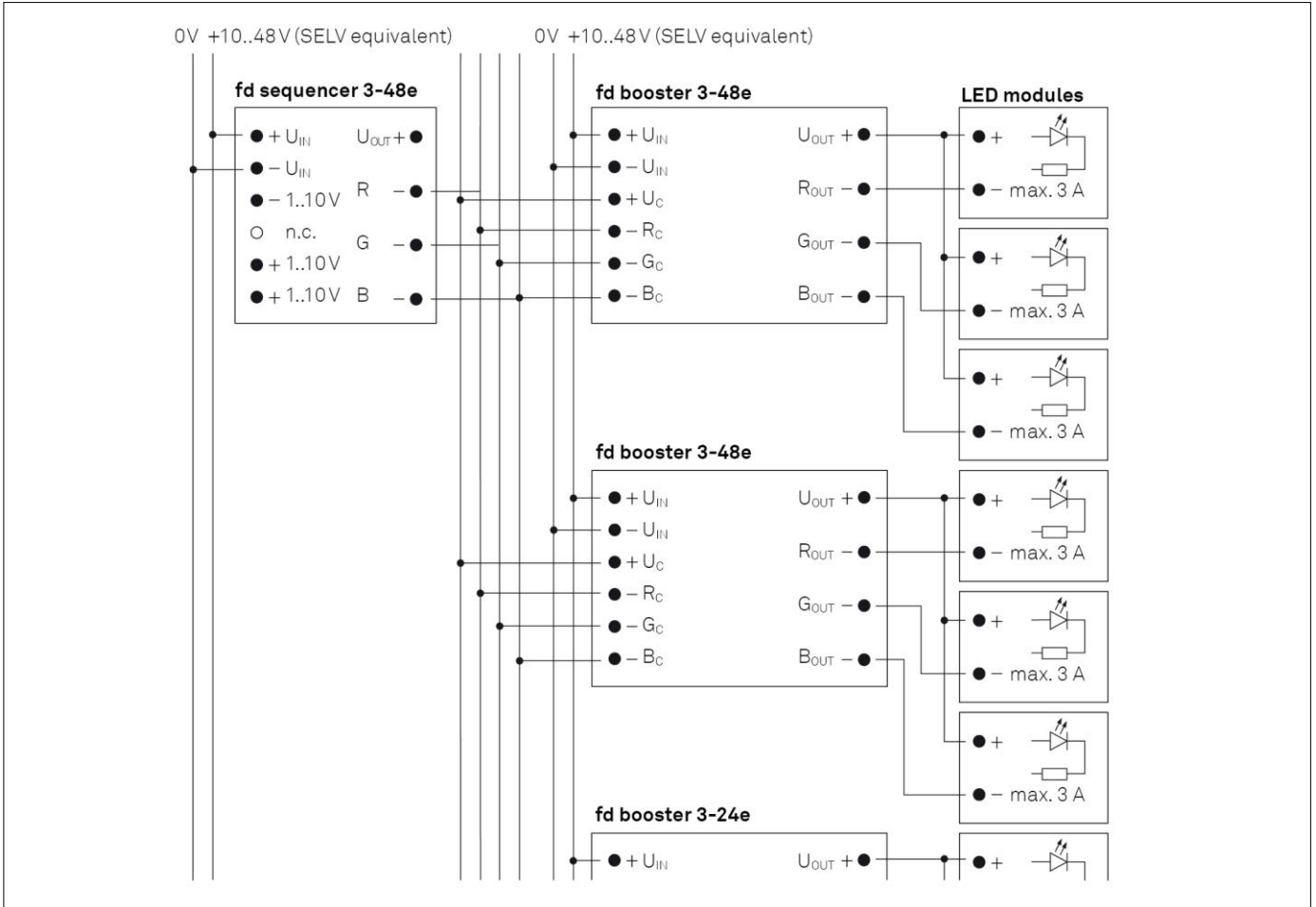


fd dmx 3-48e

fd booster 3-48e

RGB PWM booster

Wiring Diagram



Technical Details

Supply voltage	10..48 V DC (SELV)
Power consumption	9,2 A max.
Control inputs	3
Control signal	PWM 10..48 V DC/15mA
Operating mode	Constant voltage
Outputs	3
Dimming frequency / internal	240 Hz/16 Bit
Output voltage	10..48 V DC
Output load	3 x 3 A
Galvanic isolation	yes
Outputs short circuit proof	yes
Ambient temperature	-20..45 °C
Dimensions (L/W/H)	167 x 42 x 31 mm
Weight	90 g

Standards

EN 61347-1
 EN 61347-2-11
 EN 61347-2-13
 EN 55015
 EN 61547
 EN 61000-3-2
 EN 61000-3-3