

**Sensor housing bDW rs**

Casambi Ready wireless sensor



**Product description**

- \_ Housing accessory for installations with solid ceiling
- \_ Quick and easy installation
- \_ Optimized mechanical concept to fix the basicDIM Wireless sensor with the accessory housing (patent pending)
- \_ Release of the sensor from the housing can easily be done with a screwdriver or pen

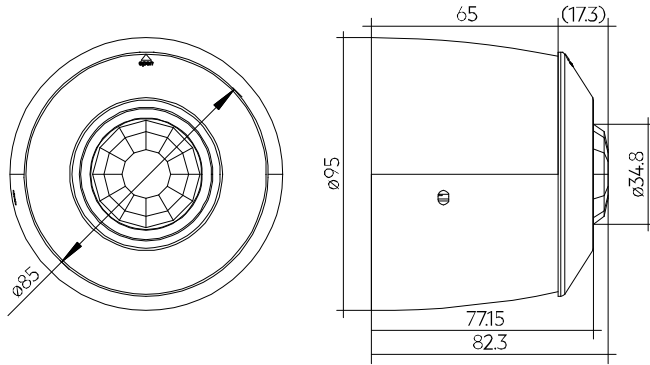
**Website**

<http://www.tridonic.com/28002802>



**Sensor housing bDW rs**

Casambi Ready wireless sensor



**Ordering data**

Type	Article number	Packaging, carton	Weight per pc.
Sensor housing bDW rs	28002802	18 pc(s).	0.055 kg