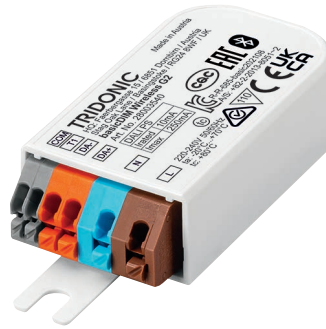


## basicDIM Wireless module G2

Casambi Ready wireless module

### Product description

- Wireless controllable with an Android / iOS smart device
- No need for an external gateway device
- Forms automatically a wireless communication network with up to 250 nodes<sup>①</sup>
- Small form factor for luminaire installation
- Digital output: Standalone DALI (compatible)
- One independent push-button input
- Easily implemented RGB and colour temperature controls
- Device firmware can be updated over-the-air
- 5 years guarantee (conditions at [www.tridonic.com](http://www.tridonic.com))



**Standards**, page 4

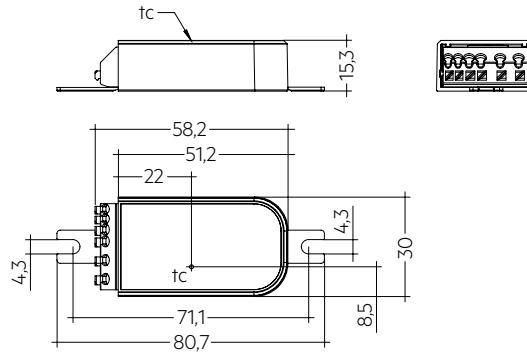


## basicDIM Wireless module G2

Casambi Ready wireless module

### Technical data

Rated supply voltage	220 – 240 V
Mains frequency	50 / 60 Hz
Max. mains current	10 mA
Typ. power input on stand-by	< 0.4 W
Input	1 push-button
Max. cable length push button	5 m at 0.14-0.5 mm <sup>2</sup>
Radio transceiver operating frequencies	2.4 – 2.483 GHz
Max. output power radio transceiver (E.I.R.P.) <sup>①</sup>	< +20 dBm
Output	DALI (compatible)
Number of DALI addresses <sup>②</sup>	4
Guaranteed output current, DALI <sup>③</sup>	10 mA
Max. output current, DALI	250 mA
Max. DALI wiring length	5 m at 1 mm <sup>2</sup>
Ambient temperature $t_a$	-20 ... +70 °C
Max. casing temperature $t_c$	80 °C
Storage temperature $t_s$	-25 ... +75 °C
Lifetime	up to 50,000 h
Guarantee (conditions at <a href="http://www.tridonic.com">www.tridonic.com</a> )	5 years
Dimensions LxWxH <sup>④</sup>	80.7 x 30 x 15.3 mm
Type of protection	IP20



### Ordering data

Type	Article number	Packaging, carton	Weight per pc.
<b>basicDIM Wireless G2</b>	<b>28003540</b>	60 pc(s).	0.020 kg

<sup>①</sup> E.I.R.P.: Equivalent Isotropically Radiated Power.

<sup>②</sup> Assignment of max. 4 single / group addresses, depending on the device profile.

<sup>③</sup> Max. 5 loads.

<sup>④</sup> Screw fixings can be removed.

**Product description**

- Battery powered, wireless wall switch
- Forms automatically a wireless communication network with up to 250 nodes<sup>①</sup>
- Controls all types of basicDIM Wireless devices
- 4 scenes
- Dim up / down
- Colour temperature control
- 5 years guarantee

**Ordering data**

Type	Article number	Colour	Packaging, carton	Weight per pc.
<b>basicDIM Wireless User Interface</b>	<b>28002213</b>	Black	50 pc(s).	0.078 kg
<b>basicDIM Wireless User Interface white</b>	<b>28002420</b>	White	50 pc(s).	0.078 kg

<sup>①</sup> Depends on production number, see data sheet basicDIM Wireless User Interface.

## 1. Standards

EN 55015  
 EN 55022  
 EN 55032  
 EN 61347-1  
 EN 61347-2-11  
 EN 61547  
 ETSI EN 300 328  
 ETSI EN 301 489-1  
 ETSI EN 301 489-17

### 1.1 Glow wire test

according to EN 61347-2-11 with increased temperature of 850 °C passed.

## 2. Common

### 2.1 Description

The basicDIM Wireless G2 is a bluetooth DALI controller with a freely configurable push-button input and has an integrated DALI power supply. Therefore no external DALI supply is needed.

The module can be connected to one or more DALI drivers or one DALI XC G3 / Tridonic DALI MSensor for easy integration of push-buttons / daylight control and motion detection.

All basicDIM Wireless devices can be controlled with the Tridonic app "4remote BT". The app can be downloaded free of charge from the Apple App Store and Google Play Store.

### 2.2 Operation

The basicDIM Wireless G2 is fully compatible with networks which support up to 250 nodes (Evolution networks). If the module is used with different types of basicDIM Wireless devices in an Evolution network, their compatibility has to be checked before.

Multiple devices automatically form a mesh network that can be controlled from any point. These networks communicate wirelessly directly with the smartphone or tablet. Therefore, an external gateway or wireless LAN network is not needed.

basicDIM Wireless devices have an integrated 2.4 GHz antenna. For optimum RF-performance, a special attention will have to be given when the device is integrated into a luminaire. See chapter 5.3 Placement for further instructions.

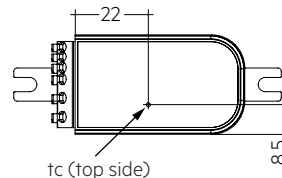
basicDIM Wireless devices can be used very flexible for different use cases. The operating modes (profiles) can be changed in the 4remote BT app.

## 3. Thermal details and lifetime

### 3.1 Expected lifetime

Expected lifetime			
Type	ta	70 °C	60 °C
basicDIM Wireless	tc	76 °C	66 °C
	Lifetime	50,000 h	100,000 h

The device is designed for a lifetime stated above under reference conditions and with a failure probability of less than 10 %.



## 4. Interfaces / communication

### 4.1 DALI output

The basicDIM Wireless G2 has an integrated DALI power supply. A maximum of 5 drivers can be connected to this interface.

Before connecting the basicDIM Wireless G2 to a DALI line, please make sure that no other DALI power supply (including drivers with integrated PS) is powering the bus.

If the bus is already being powered, it is possible to manually switch off the internal DALI power supply of the basicDIM Wireless G2, so that it can be used in the already existing DALI bus (dependent on the used profile).

### 4.2 Push-button input

An independent push-button can be connected to the input terminals of the basicDIM Wireless G2.

The max. cable length between push-button and terminal is 5 m.

With the push-button interface, it is possible to control e.g. individual luminaires of a basicDIM Wireless network or even the whole network.

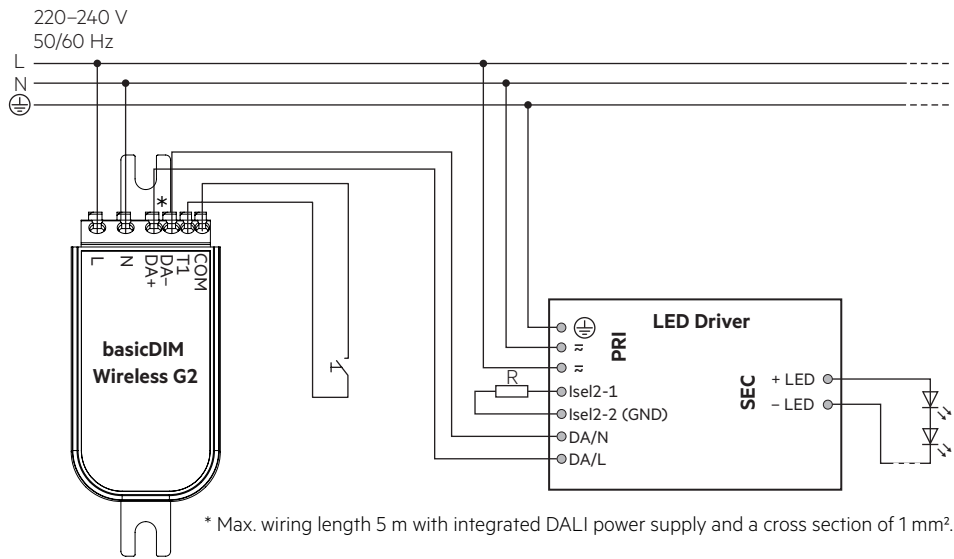
Please make sure that the correct profile has been uploaded to the basicDIM Wireless device, otherwise push-button presses cannot be recognized and also configuration of the inputs in the 4remote BT app is not available.



The basicDIM Wireless G2 has an integrated DALI power supply. A maximum of 5 drivers can be connected to this interface. Before connecting the basicDIM Wireless G2 to a DALI line, please make sure that no other DALI power supply (including drivers with integrated PS) is powering the bus.

## 5. Installation / wiring

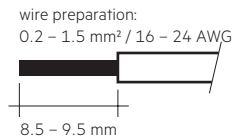
### 5.1 Wiring diagram DALI



### 5.2 Wiring type and cross section

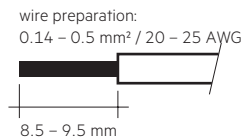
#### Mains supply / DALI wires:

For wiring use stranded wire with ferrules or solid wire from 0.2–1.5 mm<sup>2</sup> (16–24 AWG).  
Strip 8.5–9.5 mm of insulation from the cables to ensure perfect operation of the push-wire terminals.  
Use one wire for each terminal connector only.



#### Push-button input wires:

For wiring use stranded wire with ferrules or solid wire from 0.14–0.5 mm<sup>2</sup> (20–25 AWG).  
Strip 8.5–9.5 mm of insulation from the cables to ensure perfect operation of the push-wire terminals.  
Use one wire for each terminal connector only.



### 5.3 Placement

basicDIM Wireless has an integrated antenna for easy integration. In order to maximize the range in every direction some design guidelines should be taken into consideration when mounting the device.

The antenna is located at the end of the enclosure.

When the device is mounted on a metal plate (e.g. frame of a luminaire), it may efficiently block the radio frequency signal. In this case, a cut-out underneath the antenna may be needed for the RF signal to exit the structure. The cut-out area should be as large as possible. Also the device should be placed as far away from any vertical metal structures as possible.



■ Antenna location



The range of the communication signal is depending on the environment e.g. luminaire, construction of the building, furnitures or humans and needs to be tested and approved in the installation.



To ensure a good radio connection, do not cover the basicDIM Wireless completely with metal!

### 5.4 Installation note

Max. torque at screw fixing: 0,4 Nm / M3.

## 6. Miscellaneous

### 6.1 Disposal of equipment



Return old devices in accordance with the WEEE directive to suitable recycling facilities.

### 6.2 Conditions of use and storage

Environmental conditions: 5% up to max. 85%,  
not condensed

Storage temperature: -25 °C up to max. +75 °C

The devices have to be acclimatised to the specified temperature range (ta) before they can be operated.

### 6.3 Additional information

The Bluetooth® word mark and logos are registered trademarks owned by the Bluetooth SIG, Inc. and any use of such marks by Zumtobel Group AG is under license.

Tridonic GmbH & Co. KG is a subsidiary of Zumtobel Group AG.

Additional technical information at [www.tridonic.com](http://www.tridonic.com) → Technical Data

Lifetime declarations are informative and represent no warranty claim.  
No warranty if device was opened.