

## DALI to 0-10V Interface



## Datasheet

DALI to 0-10V Interface

DT5 Converter Module for the  
integration of 0-10V dimmer in DALI  
lighting systems

Art. Nr. 86458508-AN

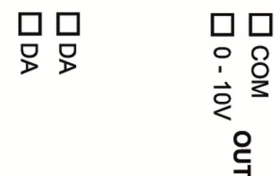
# DALI 0-10V Interface

## Overview

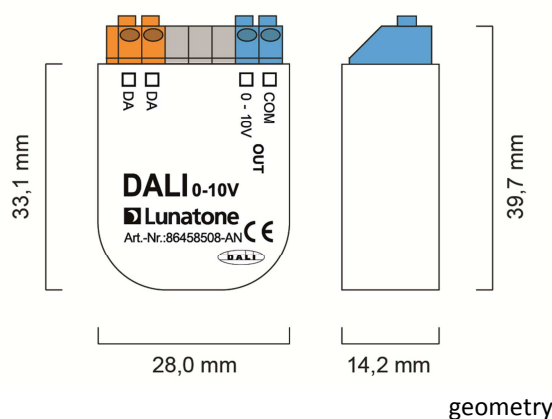
- module converting DALI dimming commands into analogue 0-10V signal (DALI DT5)
- the module is especially designed to operate with drivers with 0-10V control input
- transformation of DALI 8-Bit arc power level into analogue output signal from 0V to 10V
- selection of linear or logarithmic dimming curve (DT5)
- factory default are the default DT5 settings: output range 1-10V, logarithmic dimming curve
- maximum output current of 1mA (current sink)
- The DALI 0-10V must not be connected to the mains. It is supplied directly by the DALI signal line.
- The DALI 0-10V has its own address and can be assigned to DALI groups and scenes
- electrically isolated
- Auto Calibration Mode (can be deactivated or manually triggered via DALI-Cockpit)

## Specification, Characteristics

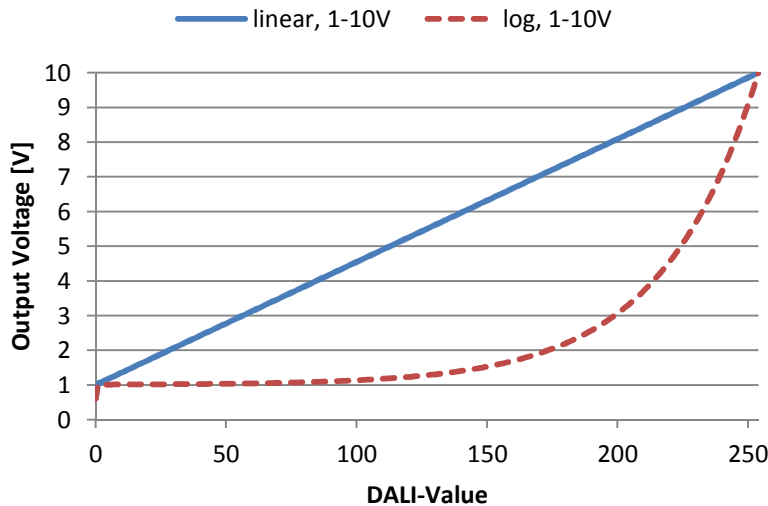
type	DALI 0-10V
article number	86458508-AN
supply	via DALI signal line
typ. current consumption DALI	<4.1 mA
input	DALI
output	0.6V-10V analog voltage 100uA-1mA
geometry (l/w/h)	39.7mm / 28.0mm / 14.2 mm
weight	~10g
storing and operational ambient temperature	-20°C to 75°C
protection class	IP20
connecting wire cross section	0.5-1.5 mm <sup>2</sup>



connection plan



geometry



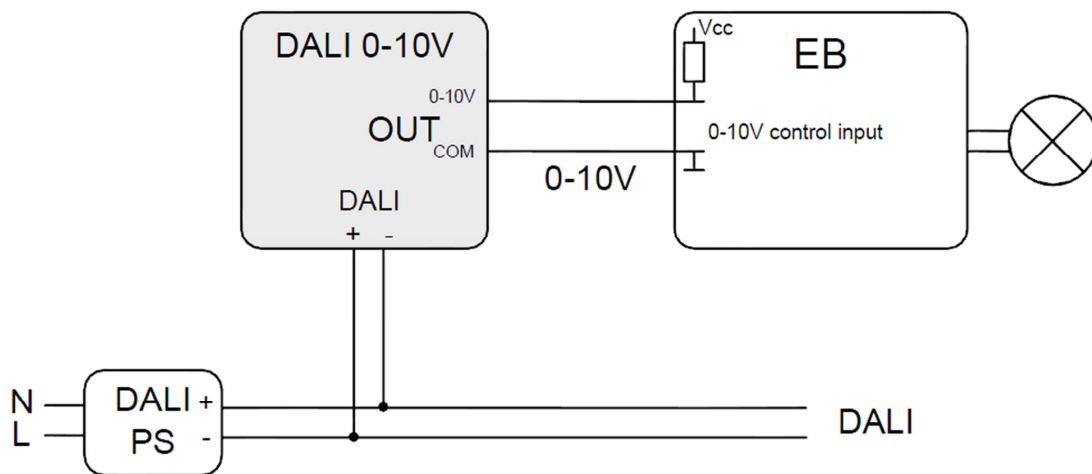
**Output range 1-10V:**

control characteristic:

DALI 0 (=OFF) correlates with a voltage below and a clear gap to 1V (<0,8V).

DALI 1-254 is transformed to 1V-10V output voltage

- linear
- - - logarithmic (default setting)



typical structure

**Connection**

The interface is supplied directly via the DALI signal line. It must not be connected to the mains. The current consumption is typically below 3mA. For supplying components on a DALI line the installation of a DALI power supply (DALI PS) is necessary.

The voltage output supports sinking currents up to 1mA. The terminals allow cross sections of the connection wire from 0.5 to 1.5 mm<sup>2</sup>.

**Function**

The DALI 0-10V interface converts the desired DALI dim level in a corresponding output voltage. Two types of conversion curves are available (according to DALI DT5). The DALI direct arc power level [1-254] is linearly or logarithmic converted to the output signal [1V-10V]. The relationships are clearly represented by the control characteristic diagram. The maximum output current is 1mA (current sink).

## DALI instruction set

The DALI 0-10V module is based on the standard for DALI control gear (IEC 62386-102) and device type 5 extension (IEC 62386-206). With few exceptions the entire instruction set defined by the DALI standard is supported. For changing dimming curve DALI commands for device type 5 are implemented.

Commands and functions referring to the SYSTEM FAILURE LEVEL are not supported. This parameter is used as the dim level that should be applied on the output in case of a DALI line outage. Since the DALI 0-10V is a bus powered device there is no possibility to apply a specific predefined signal on the output without being under power. In the case of a DALI-line outage 100% are applied on the output.

## Auto Calibration Mode

On power up the DALI 0-10V converter is evaluating if the calibration values for the output values are still correct or if a recalibration is required. A calibration will last up to 2 minutes. The auto calibration routine can be deactivated and manually triggered via DALI-Cockpit software tool. During the calibration the device does not react to any dimming commands. The DALI Cockpit provides information if the device is in normal operation or if the auto calibration is running.

## Purchase Information

**article number: 86458508-AN**

DT5 interface module for conversion of DALI signals to an electrically isolated 0-10V analog signal

similar components:

DALI 0-10V PWM (Art.Nr. 86458508) with PWM output, galvanic isolation between DALI-input and PWM output

DALI PWM (Art.Nr. 86458508-100) with PWM output (100mA), galvanic isolation between DALI-input and PWM output

DALI 0-10V LE (Art.Nr. 86458508-LE) with analog output, suitable for 0-10V drivers with electrically isolated control input

## Additional Information and Equipment

DALI-Cockpit – free configuration tool from Lunatone for DALI systems

<http://lunatone.at/de/dali-systeme/software/>

Lunatone DALI products

<http://www.lunatone.at/de/>

Lunatone datasheets and manuals

<http://lunatone.at/de/downloads/>

## Contact

Technical Support: [support@lunatone.com](mailto:support@lunatone.com)

Requests: [sales@lunatone.com](mailto:sales@lunatone.com)

[www.lunatone.com](http://www.lunatone.com)



## Disclaimer

Subject to change. Information provided without guarantee. The datasheet refers to the current delivery.

The function in installations with other devices must be tested for compatibility in advance.