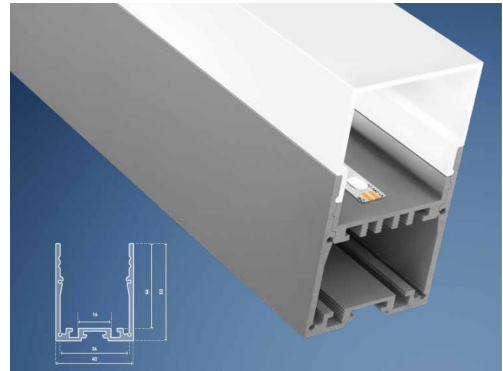


CATania 4050 Aluminium Profile

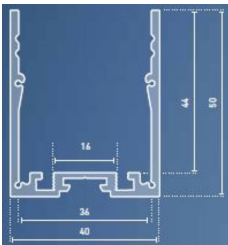
- high quality aluminium profile, anodised
- flexibly usable as surface-mounted or luminaire profile
- power supply unit with the dimensions 30 x 22 mm can be integrated (66000315 = 60W and 66000316 = 100W)
- can also be used as canopy for linear luminaires
- in combination with an opal white cover and compatible LEDlight flex, a homogenous light distribution can be achieved
- RAL powder coating on request



Please refer to the notes on expansion and assembly at the end of the data sheet!

ALUMINIUM PROFILE

	62399641	62399642	62399643	62399645
Description	CATania 4050 aluminium profile			
Length	1000 mm	2010 mm	3020 mm	5030 mm
Width	40 mm			
Height	50 mm			
Material	Aluminium EN AW 6060			
Weight	823 gr	1646 gr	2469 gr	4115 gr



INLAY

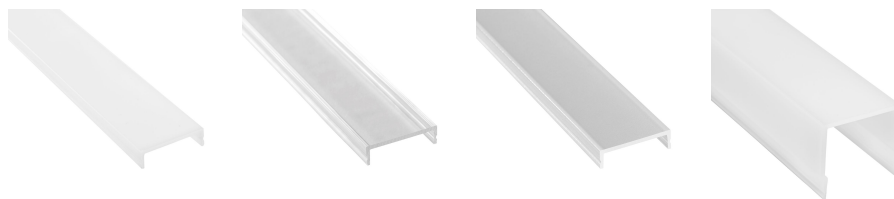
	62399651	62399652	62399653	62399655
Description	CATania 40 insert profile, pressed aluminium, for mounting of LED strips			
Material	Aluminium EN AW 6060			
Length	1000 mm	2010 mm	3020 mm	5030 mm
Width	37,3 mm			
Height	12,5 mm			
Weight	374 gr	748 gr	1129 gr	1881 gr



COVER

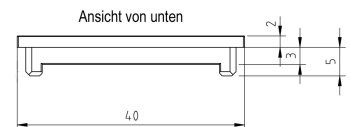
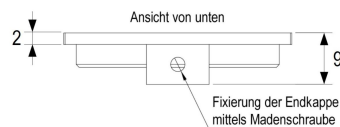
	62398231	62398951	62398961	62398971	62399661	62399671	62399681
Description	Cover satined, PC, for indirect light with suspended luminaire	for the protection of the LED stripe	for a homogenous and antiglare light distribution	low light dissipation and hiding technical view at the same time	CATania 40 cover high, opal white, PMMA, 180°, for an all-round homogenous light distribution	CATania 4050 cover aluminium, anodised, for concealment of control technology	CATania 40 cover prisma, clear, PMMA, to reduce the dazzling effect
Material	PC	PMMA			Aluminium		PMMA
Length	1000 mm						
Width	13,8 mm	37,3 mm		40 mm	37,3 mm	35,9 mm	
Height	4,2 mm	8,5 mm		33,6 mm	21,2 mm	8,5 mm	
Weight	26 gr	89 gr		148 gr	452 gr	89 gr	

For other lengths please replace the last digit of the article number by: 2 = 2.01m / 3 = 3.02m / 5 = 5.03m



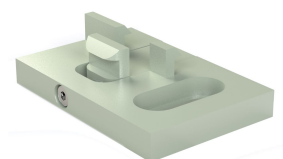
END CAPS

	62399647	62399648
Description	CATania 4050 end cap set with screwless visible surface, aluminum, anodized,	CATania 4040/4050 end caps, opal, for cover high 180°, PC
Material	Aluminium EN AW 5052	PC
Length	9 mm	7 mm
Width	40 mm	
Height	50 mm	25 mm
Weight	49 gr	2,5 gr
Remarks	Thickness excl. fixing strap: 2 mm	Thickness excl. holding pins: 2 mm



MOUNTING CLIPS

	62399906	62399908
Description	holding set, 2x brackets + 2x screws, 306 stainless steel, suitable for GARGano, GARLiano, CATania profile	1x vandal-proof mounting, aluminium, anodised, the alu-profile is fixed to the mounting with a hex key (M2x10), Dimensions: 40 mm x 27 mm x 5 mm
Material	304 stainless steel	Aluminium
Length	40 mm	
Width	13,5 mm	27 mm
Height	3 mm	5 mm
Weight	5 gr	13 gr



ACCESSORIES

	62398801	62399919	62399936	65400100	65400150
Description	2x angle brackets for a 90° wall installation, aluminium, anodised, incl. 1 rounded head screw for attaching the brackets to the profile	1x profile connector, incl. locking screws, suitable for GARgano, GARliano, CATania profile	1x profile 90°-connector, incl. 2 locking screws, suitable for GARgano, GARliano profile	suspension for ceiling installation (2x 150cm wire cable Ø 1mm with M4 thread, 2x suspension brackets)	suspension for ceiling installation (4 x 150cm wire cable Ø 1mm with M4 thread, 4 x suspension brackets) for profile lengths > 3m
Length	30 mm	45 mm	30,4 mm	1500 mm	
Width	34 mm	10 mm	30,4 mm		
Height	30 mm	2 mm			
Weight	22 gr	8 gr	9 gr	71 gr	143 gr



Please note that the materials aluminum and PMMA can expand when the temperature changes vary greatly. With a temperature change of 20°C the expansion difference can be up to 1.2 mm per meter! This is no deficiency of the product but a normal physical process.

Installation note: If you directly install two aluminum profiles edge to edge (without end caps), please pay attention during installation, that you don't glue the LED strip directly over the joint, since the profiles at temperature fluctuations - especially at large lengths - will expand/contract (s. section 1) and then the LED tape may be damaged. At joints the LED strip has to be cut at the marked positions and reconnected with flexible solder bridges with corresponding expansion reserve (min. 5mm).