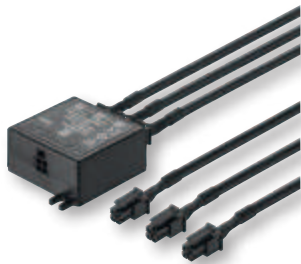




## Häfele Loox Multi driver box

Up to 3 drivers/distributors with 1 switch can be switched using the switching function

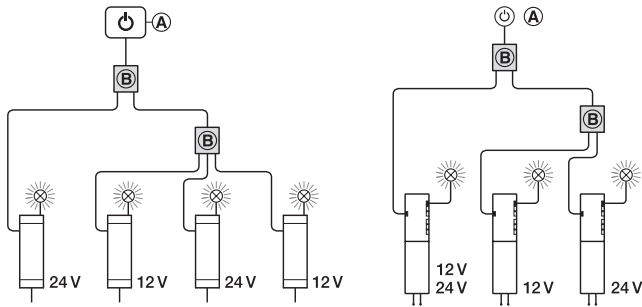


- > Up to 3 LED drivers with different voltages or distributors with switching function can be controlled with 1 switch.
- > Several lights in the room can be switched on and off with one switch. 3 identical voltage systems can also be connected if you require additional power in a 12 V system, for example.

2

12/24 V

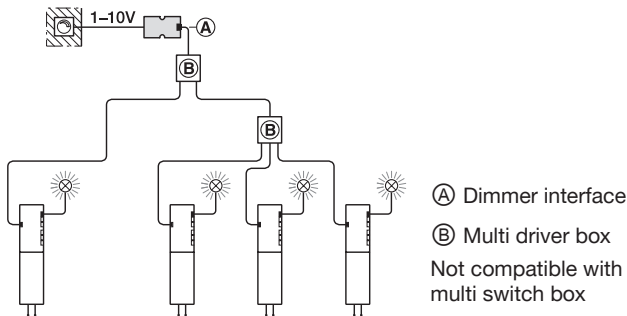
Cascade, consists of 2 multi driver boxes for max. 5 drivers/distributors



Connection diagram for driver with switching function

Connection diagram for distributor with switching function

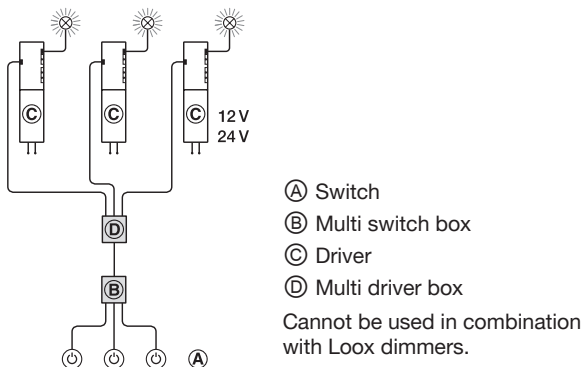
- Ⓐ Switch
- Ⓑ Multi driver box



- Ⓐ Dimmer interface
  - Ⓑ Multi driver box
- Not compatible with multi switch box

Connection diagram for distributor with switching function

Cascade, consists of 2 multi driver boxes for max. 5 drivers/distributors



- Ⓐ Switch
  - Ⓑ Multi switch box
  - Ⓒ Driver
  - Ⓓ Multi driver box
- Cannot be used in combination with Loox dimmers.

Connection diagram for distributor with switching function  
Combination of multi switch box and multi driver box

- > **Functionality:** For controlling up to 3 LED drivers with 1 switch.  
Combination of different systems is possible (12 V, 24 V, 350 mA).
- > **Material:** Plastic
- > **Colour/finish:** Black
- > **Dim. (L x W x H):** 50 x 40 x 19 mm
- > **Standby power consumption:** 1.5 W
- > **Degree of protection:** IP20
- > **Cable length:** 1,000 mm
- > **Plug drill hole Ø:** 12 mm

**Note**

Lead length from driver to switch max. 6 m.  
Up to 5 drivers can be operated using one switch by cascading 2 multi driver boxes.  
No current flows through the box, i.e. drivers can be switched irrespective of their max. wattage.

**Supplied with**

1 driver box with fixing material  
3 leads for switches, 1 m each

**Order reference**

Please order lead for switch with other lengths separately.

IP20

Control inputs	Control outputs	Cat. No.
3 x plug, Loox switch	1 x socket, Loox switch	833.89.061

Packing: 1 or 30 Piece

- 🔴 Häfele Loox 12 V DC driver ▶ MB 2.310
- 🔴 Häfele Loox 24 V DC driver ▶ MB 2.312

DGH-M 2021, HDE-en, 10/20; Dimensional data not binding. We reserve the right to alter specifications without notice.



## Lead, Häfele, Loox

For multi driver box and multi switch box



- > Material: Plastic
- > Plug drill hole Ø: 12 mm

**Note**

Alternative to the supplied 1 m cable for multi switch box.

**Supplied with**

1 lead plug/plug

IP20

Inputs	Connections	Packing Piece	500 mm	2000 mm
1 x Plug, Loox switch	1 x Plug, Loox switch	1 or 12 1, 12 or 48	833.89.068 -	- 833.89.069

**Order reference**

Please order extension lead 833.89.067 separately.

## Extension lead, Häfele, Loox

For switch and modular switch



- > Material: Plastic
- > Plug drill hole Ø: 12 mm
- > Socket drill hole Ø: 12 mm

**Note**

Suitable for extending all Häfele Loox switch leads (integrated leads, modular leads with or without snap-in connector, leads for multi switch box).

Lead length from driver to switch: Max. 6 m.

**Supplied with**

1 extension lead plug/socket

IP20

Inputs	Connections	2,000
1 x Socket, Loox switch	1 x Plug, Loox switch	833.89.067

Packing: 1 or 12 Piece

DGH-M 2021, HDE-en, 10/20; Dimensional data not binding. We reserve the right to alter specifications without notice.