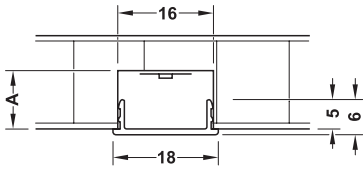


## Häfele Loox Diffuser, for LED strip lights 12 V



2

12/24 V



A = min. depth 10 mm for invisible LED points, with LED strip lights from 120 LEDs/m

- > Material: Plastic
- > Installation: For recessing

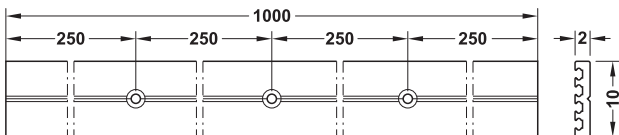
**Note**  
Only suitable for 12 V LED strip lights

**Supplied with**  
1 diffuser

Width mm	Diffuser colour/finish	2500 mm
18	Milky	833.74.794

Packing: 1 Piece

## Cooling strip Häfele Loox



- > Area of application: For heat dissipation of LED strip lights
- > Material: Profile: Aluminium
- > Installation: For screwing, For surface mounting

**Note**  
For LED strip lights up to a width of 10 mm. Aluminium profile must be used for 24/7 continuous operation.

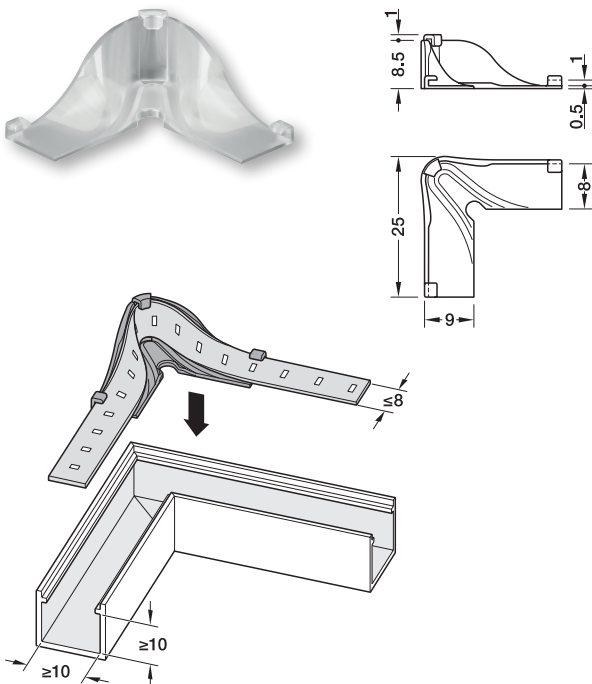
**Supplied with**  
1 profile

Colour/finish	1000 mm
Profile: aluminium coloured	833.77.700

Packing: 1, 10 or 50 Piece

## Corner guidance 90° for LED strip lights

90°, für LED light strips up to 8 mm width



Bending instead of cutting allows creation of 90° illuminated frames without loss of light in the corners



- > Area of application: For guiding LED strip lights in 90° corners of aluminum profiles
- > Suitable for: LED strip lights up to 8 mm width in profiles with min. 10 mm internal width and min. 10 mm internal height
- > Material: Plastic
- > Colour/finish: transparent
- > Dim. (L x W x H): 25 x 25 x 9.5 mm
- > Installation reference: Follow the installation instructions for bending the LED light strip.

**Supplied with**  
10 corner connectors

Product type	Cat. No.
Corner guidance 90°	833.89.308

Packing: 10 Pieces

DGH-M 2021, HDE-en, 10/20; Dimensional data not binding. We reserve the right to alter specifications without notice.