

## Casambi PWM Controller 4ch

1-4 channel controller for 12-24V LEDs with selectable operating modes



Article no.: 1005

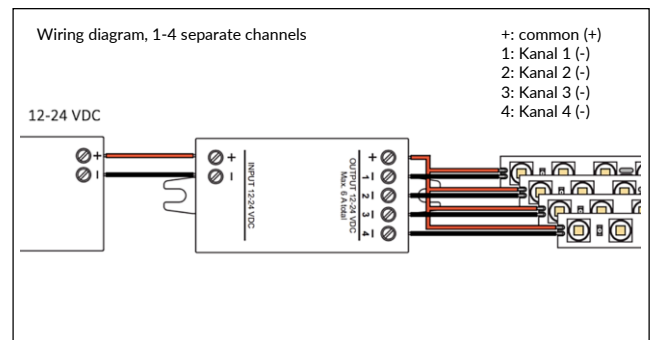
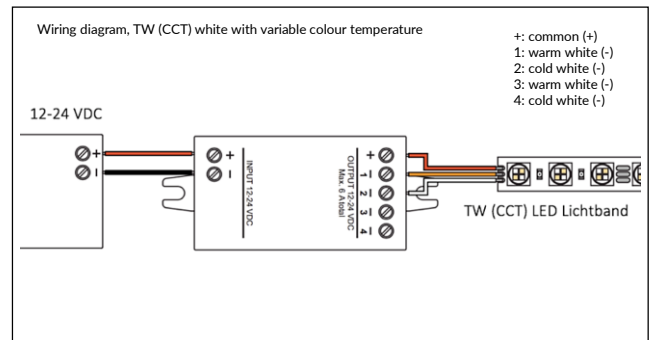
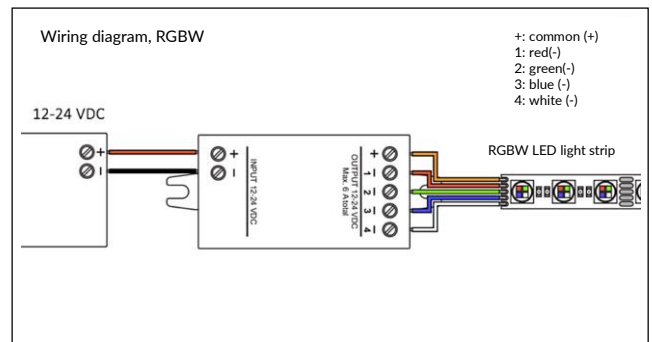
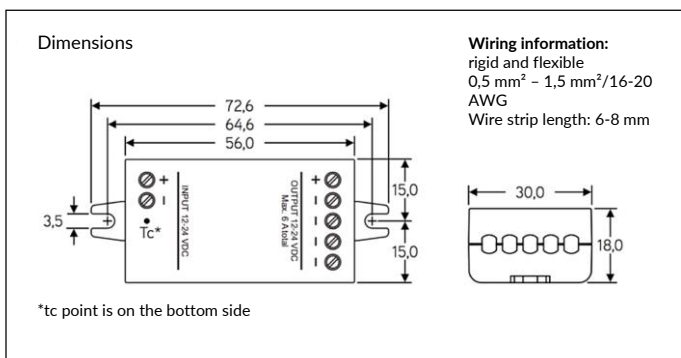
### Description

Die Installation darf nur von einem qualifizierten Elektriker ausgeführt werden. The controller controls 12-24V LEDs in the Bluetooth Low Energy Mesh network without the use of gateways, routers, repeaters or extra cabling. The configuration and selection of the appropriate profile for the different operating modes (1xDIM, 4xDIM, TW, RGB, RGBW, etc.) is done wirelessly via the Casambi App. The installation may only be carried out by a qualified electrician.

- Wireless control via app, wall switch and motion detector
- Automatic switching on and off according to time, weekday, date or sunshine
- Group function
- Integration in scenes and animations
- iBeacon can be activated

### Technical Details

Description	Features
Operating Voltage	12-24 VDC
Operating frequencies	2,4...2,483 GHz / +4 dBm
Max. mains current	6 A
Output voltage	Gleich wie Eingangsspannung
Max. output power	144 W @ 24 VDC 77 W @ 12 VDC
Max. output current	6 A (frei zwischen den Kanälen aufteilbar)
Wire size	0,5 mm <sup>2</sup> – 1,5 mm <sup>2</sup>
Abisolierlänge	6-8 mm
Wire strip length	-20...+45 °C
Ambient temperature	-25...+75 °C
Storage temperature	IP20
Degree of protection	22 g
Dimensions	72,6 x 30,0 x 18,0 mm



### Note

Technical changes and errors excepted





## Commissioning

Follow these steps to add the device to a network

- 1) Open the Casambi App and log in to your Bluetooth network. If you have not yet created a network, you must create a new network.
- 2) Before adding the device to the network, select the appropriate profile.  
Tap on 'More', then tap on 'Devices nearby'. Then tap the device, tap 'Change Profile' and follow the instructions.
- 3) In the Near Devices overview, tap the device and add it to the network.
- 4) The device is added to the network and ready to use.
- 5) Optional: Use Casambi-enabled switches.  
Tap on 'More', then tap on 'Switches'. Then tap the switch you want to use.

## Profile

Description
1x Dimmer
2x Dimmer
3x Dimmer
4x Dimmer
RGB
RGBW
RGB+W
RGB+1x Dimmer
Tunable White
2x Tunable White