

Casambi Pushbutton Module Battery 4-CH

Continue using the wall switch - gain smart functions by installing the module



Article no.: 1009

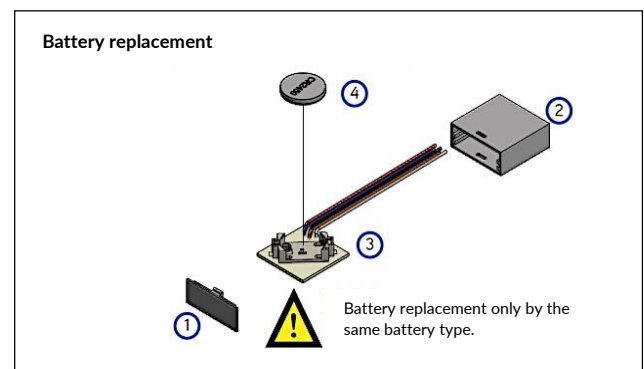
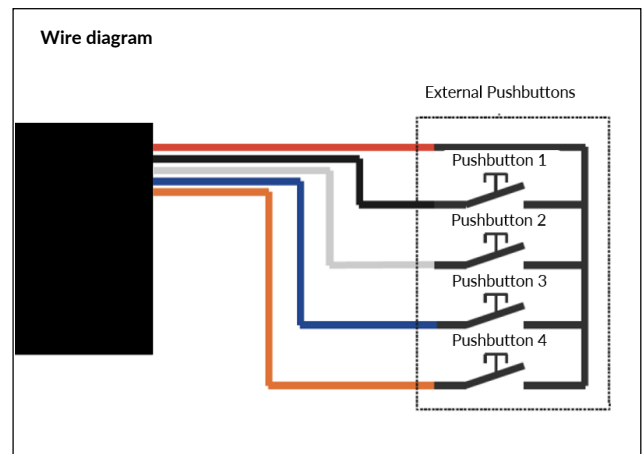
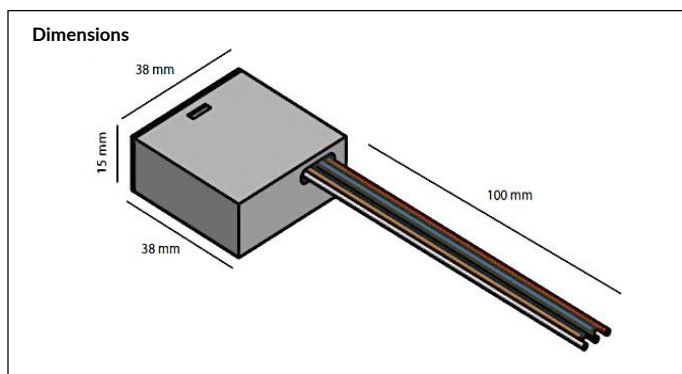
Description

The pushbutton module communicates wirelessly in the Bluetooth Low Energy Mesh network without the use of gateways, routers, repeaters or extra cabling. The pushbutton module is designed to connect up to four standard potential-free installation pushbuttons (normally open contacts) to a Casambi network. The pushbutton connections are freely programmable and control e.g. one luminaire, device, group, scene/animation or all luminaires. Configuration is wireless via the Casambi App. The pushbutton module has a compact format, suitable for installation in flush boxes (deep flush boxes are recommended). Installation must only be carried out by a qualified electrician.

- For installation in the flush-mounted box or switch cabinet
- Pushbutton connection freely programmable
- Infinitely variable dimming
- Control of all lights, groups, devices and scenes
- Changing the colour temperature
- Resume / start automation
- iBeacon can be activated

Technical Details

Description	Features
Battery type	CR2450 - 3V
Radio frequencies	2,4..2,483 GHz; +4 dBm
Pushbutton input	0,2 mA
Ambient temperature, ta	-20...+45 °C
Storage temperature	-25...+75 °C
Degree of protection	IP20
Dimensions	38 x 38 x 15 mm



Note

Technical changes and errors excepted.

