

# CATania 3030 Blackline

## Aluminium profile black anodised

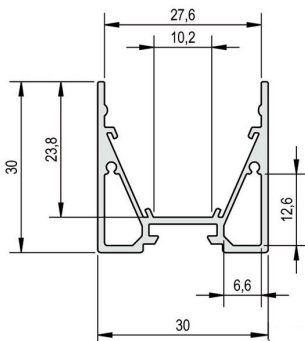
- high-quality luminaire profile made of aluminium, black anodised
- also available with black cover for design-relevant projects
- can be used flexibly as a surface-mounted or luminaire profile
- with two parallel hollow spaces which can be used as concealed cable channels
- combined with the optional reflector stripe the light output can be increased by up to 20 %
- in combination with opal black or opal white diffuser and compatible LEDlight flex (up to pitch 16\*), a homogenous light distribution can be achieved



**Please refer to the notes on expansion and assembly at the end of the data sheet!**

### ALUMINIUM PROFILE

	62398761	62398762	62398763	62398765
<b>Length</b>	1000 mm	2010 mm	3020 mm	5030 mm
<b>Width</b>	30 mm			
<b>Height</b>	30 mm			
<b>Colour</b>	schwarz			
<b>Material</b>	Aluminium EN AW 6060			
<b>Finish</b>	anodised			
<b>Weight</b>	459 gr	918 gr	1377 gr	2295 gr



## INLAY

	62398841	62398881
<b>Description</b>	CATania insert profile, asymmetrical, for mounting the LEDlight flex family, combinable with GARliano covers, light deflection 14°	CATania insert profile, symmetrical, for mounting the LEDlight flex family, combinable with GARliano covers
<b>Material</b>	Aluminium EN AW 6060	
<b>Finish</b>	anodised	
<b>Length</b>	1000 mm	
<b>Width</b>	27,4 mm	
<b>Height</b>	17,91 mm	17,5 mm
<b>Weight</b>	180 gr	100 gr

For other lengths please replace the last digit of the article number by: 2 = 2.01m / 3 = 3.02m / 5 = 5.03m



## COVER

	62398851	62399691	62399821	62399841	62399851	62399861	62399871
<b>Description</b>	anodised aluminium cover	CATania 30 cover black, PMMA	cover opal white, PMMA, for a homogenous and glare-free light distribution	high plastic cover, opal white, 180° for an all round homogenous light emission	cover nature, little light consumption and hiding technical view at the same time	cover clear, for the protection of the LED stripe	prisma cover to reduce the dazzling effect
<b>Material</b>	Aluminium	PMMA					
<b>Transmission in %</b>		Ca. 22	77		84	91	
<b>Length</b>	1000 mm						
<b>Width</b>	27,4 mm			30 mm	27,4 mm		
<b>Height</b>	7,9 mm		7 mm	27,8 mm	7,9 mm		
<b>Weight</b>	130 gr	45 gr	69 gr	155 gr	69 gr	75 gr	60 gr

For other lengths please replace the last digit of the article number by: 2 = 2.01m / 3 = 3.02m / 5 = 5.03m



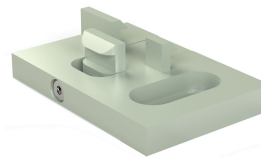
## END CAPS

	62398767
<b>Description</b>	CATania 3030 end caps, screwless visible surface, aluminium, black anodised, 2 pcs, incl. 2 grub screws
<b>Material</b>	Aluminium
<b>Length</b>	30 mm
<b>Width</b>	30 mm
<b>Height</b>	10 mm
<b>Weight</b>	25 gr



## MOUNTING CLIPS

	62399906	62399908
<b>Description</b>	holding set, 2x brackets + 2x screws, 306 stainless steel, suitable for GARGano, GARliano, CATania profile	1x vandal-proof mounting, aluminium, anodised, the alu-profile is fixated to the mounting with a hex key (M2x10), Dimensions: 40 mm x 27 mm x 5 mm
<b>Material</b>	304 stainless steel	Aluminium
<b>Length</b>	40 mm	
<b>Width</b>	13,5 mm	27 mm
<b>Height</b>	3 mm	5 mm
<b>Weight</b>	5 gr	13 gr



## ACCESSORIES

	62398801	62399816	62399817	62399919	62399936
<b>Description</b>	2x angle brackets for a 90° wall installation, aluminium, anodised, incl. 1 rounded head screw for attaching the brackets to the profile	reflectortape with a light reflection of >97%, sold by the metre, suitable for CATania profile	reflectortape with a light reflection of >97%, suitable for CATania profile	1x profile connector, incl. locking screws, suitable for GARGano, GARliano, CATania profile	1x profile 90°-connector, incl. 2 locking screws, suitable for GARGano, GARliano profile
<b>Length</b>	30 mm		10000 mm	45 mm	30,4 mm
<b>Width</b>	34 mm	15,5 mm		10 mm	30,4 mm
<b>Height</b>	30 mm	0,4 mm		2 mm	
<b>Weight</b>	22 gr	7 gr	49 gr	8 gr	9 gr
<b>Remarks</b>		Please note that the reflector tape has to be fitted on both sides of the stripe. That means for a 2m luminaire you need 4m reflector tape!			

	65400100	65400150
<b>Description</b>	suspension for ceiling installation (2x 150cm wire cable Ø 1mm with M4 thread, 2x mounting plates, 2x suspension brackets)	suspension for ceiling installation (4x 150cm wire cable Ø 1mm with M4 thread, 4x mounting plates, 4x suspension brackets) for profile lengths > 3m
<b>Length</b>	1500 mm	
<b>Weight</b>	71 gr	143 gr



All aluminium profiles and covers are subject to certain length tolerances. This is +20/-0 mm irrespective of the length, i.e. a profile has at least the specified length, but can be up to 20 mm longer.

If you require an exact length, please specify this when ordering (article number 62397000).

Please note that the materials aluminum and PMMA can expand when the temperature changes vary greatly. With a temperature change of 20°C the expansion difference can be up to 1.2 mm per meter! This is no deficiency of the product but a normal physical process.

Installation note: If you directly install two aluminum profiles edge to edge (without end caps), please pay attention during installation, that you don't glue the LED strip directly over the joint, since the profiles at temperature fluctuations - especially at large lengths - will expand/contract (s. section 1) and then the LED tape may be damaged. At joints the LED strip has to be cut at the marked positions and reconnected with flexible solder bridges with corresponding expansion reserve (min. 5mm).

Please note that damage to the surface (e.g. scratches) removes superficial anodising and the silver raw material becomes visible. Handling and assembly must be handled with due care.