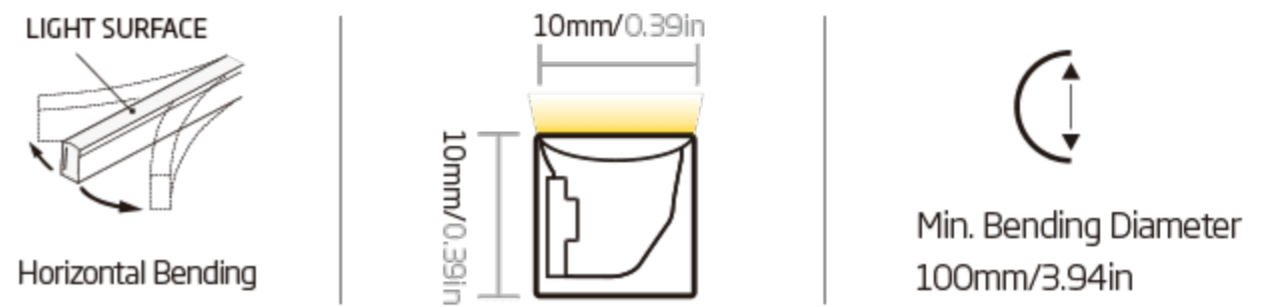




Flexglo™ F23 Horizontal Bending (Silicone)



ClearTech™ TwinFlex™ C-Mask™ PinBoost™ V-Optic™

| | | | | | |
|-----------------|--------------|--------|--|----------------|------|
| 5 year Warranty | ANSI C78.377 | 3 SDCM | 55 °C -40 °C Ambient Working Temperature | Anti yellowing | Mini |
|-----------------|--------------|--------|--|----------------|------|

Working Temp. -40~55°C / -40~131°F

Storage Temp. -40 ~ 60°C / -40~140°F

Voltage 24CV

Min. Cutting Length 83.30mm

Abmient Installation Temp. -40 ~ 50°C / -40~122°F

Max. Mounting Surface Temp. 85°C / 185°F

Power/m 4.50

Max. Running Length 15.00m

Optical Parameters

| Item Code | Finished Product | | | | | | |
|---------------------------------------|------------------|--------------------------|-----------------|-----|-----|---------|----------|
| | Color/CCT | Wavelength/CCT Tolerance | Color Tolerance | CRI | R9 | Lumen/m | Lumen/ft |
| C-SFR-F23B-HB-24CV-R-WM-144-4.5W-83.3 | Red | 618-624nm | N/A | N/A | N/A | 50.00 | 15.24 |

Connector Type

IP67 Silicone Injection-moulded Connector

| Front Connector End | Front Connector Side from Left | Front Connector Side from Right | Front Connector Bottom | Seamless Middle Connector & Power Feed | Middle Connector & Power T-feed | Jumper | End Cap |
|--|--|--|--|--|---------------------------------------|--------------------------------|------------|
| | | | | | | | |
| F23B-HB-SIM/FC-01/02-E-0.3m/1m/3m/5m/10m/15m/20m 22AWG*2 | F23B-HB-SIM/FC-02-SL-0.3m/1m/3m/5m/10m/15m/20m 22AWG*2 | F23B-HB-SIM/FC-01-SR-0.3m/1m/3m/5m/10m/15m/20m 22AWG*2 | F23B-HB-SIM/FC-01/02-B-0.3m/1m/3m/5m/10m/15m/20m 22AWG*2 | N/A | F23B-HB-SIM/MC-PTF-0.3m/1m/3m 22AWG*2 | F23B-HB-SIM/JU-0.3m/1m 22AWG*2 | F23-SIM/EC |

Mounting Profile



Serrated Aluminum Profile
F23-SA/PL-20/500/1000/2000mm

