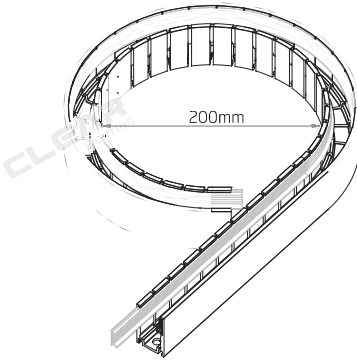


# Installation Instructions

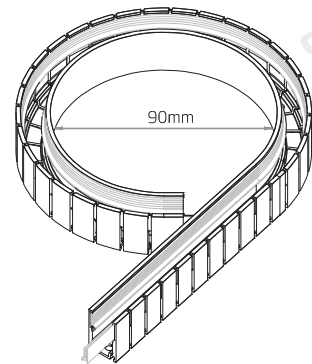
Friendly Reminder: please read instructions carefully before operation.

## Bending Diameter

Min. Bending Diameter (Toothed Side inwards)

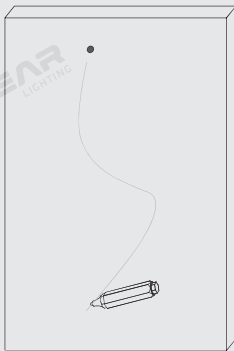


Min. Bending Diameter (Toothed Side outwards)



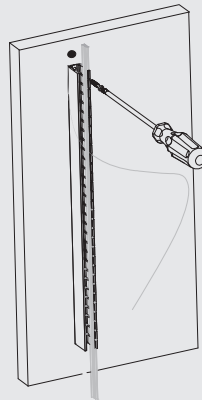
## Installation

▶ Step 1



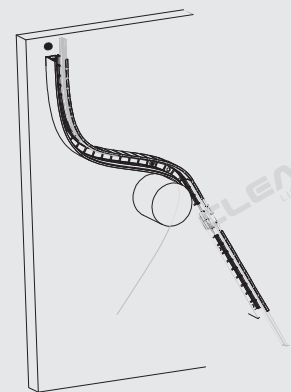
Mark the required shape on the mounting surface or print the sketch in the scale of 1:1 if complicated.

▶ Step 2



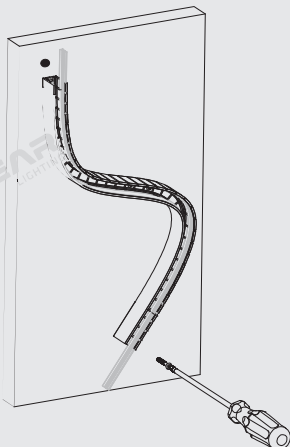
Get the front connector outside of profile and keep at least 10mm more apart. Fix the screw starting from the power input end.

▶ Step 3



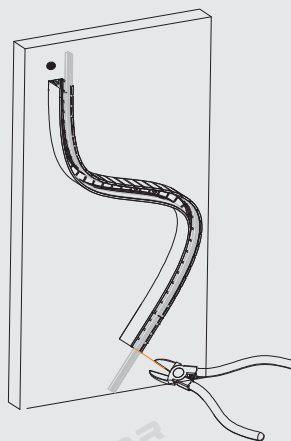
Use cylinder or disc-like object you have to assist with shaping.

▶ Step 4



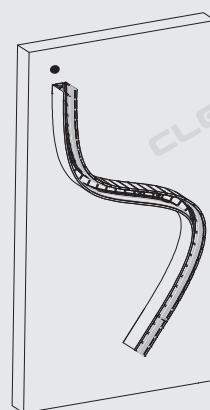
Fix the rest in sequence along with the marks.

▶ Step 5



Adjust the serrate silicone tape and remove the redundant lengths at both ends.

▶ Step 6



Finish and fix the light in.