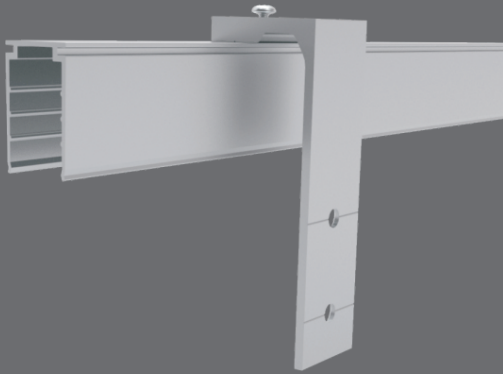
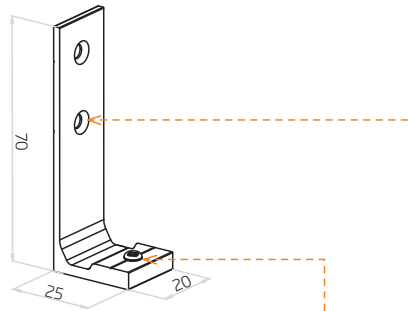


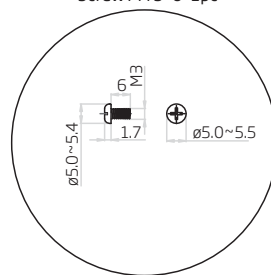
Side Mounting Bracket



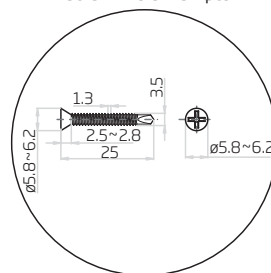
Item Code: SM/B



Screw PM3*6 1pc



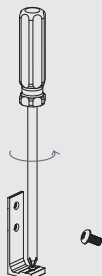
Screw KA3.5*25 2pcs



Note:
Applicable to all types of mounting profiles

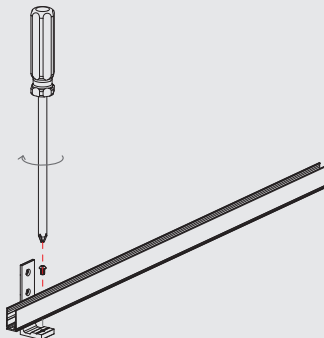
Installation Instructions

▶ Step 1



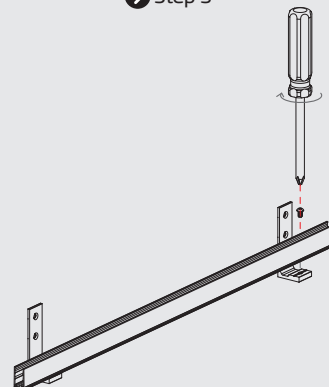
Remove the PM3*6 screw of side mounting bracket.

▶ Step 2



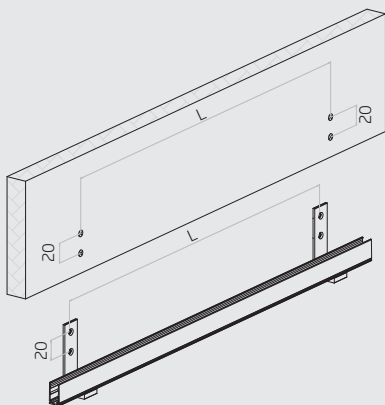
Fix side mounting bracket and mounting profile tightly by the screw.

▶ Step 3



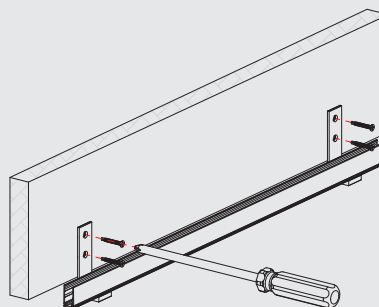
Repeat step 1 & step 2 for the remaining brackets and secure at least 2 locking points for each mounting profile, and the equal interval is more recommended.

▶ Step 4



Mark the pilot holes on mounting surface accordingly.

▶ Step 5



Fix the side mounting bracket by KA3.5*25 screws.