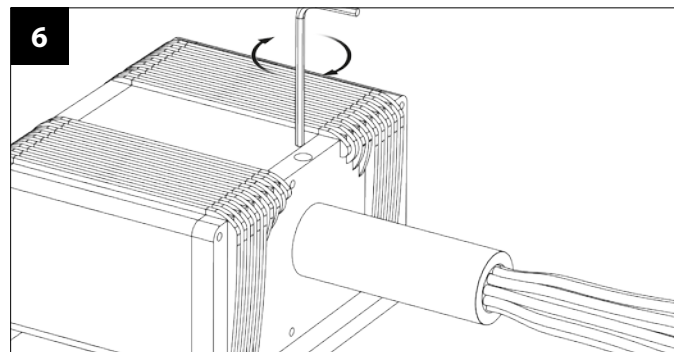
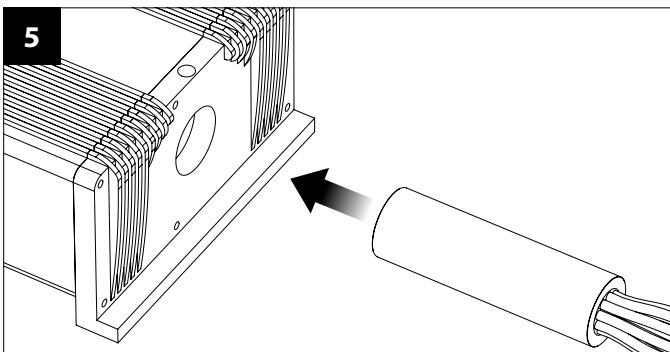
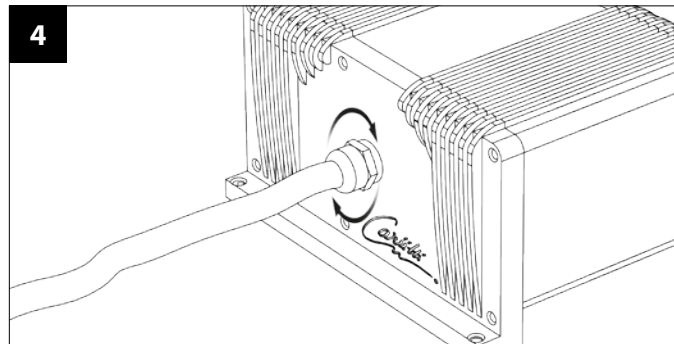
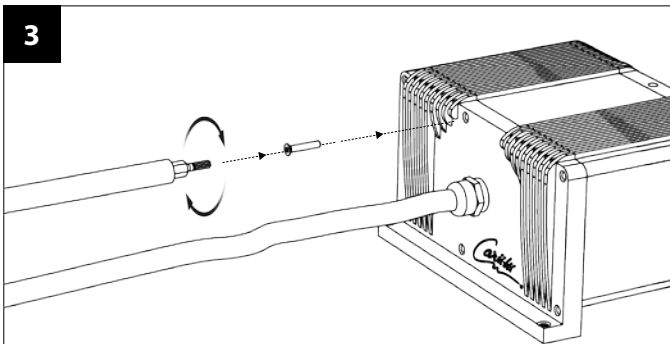
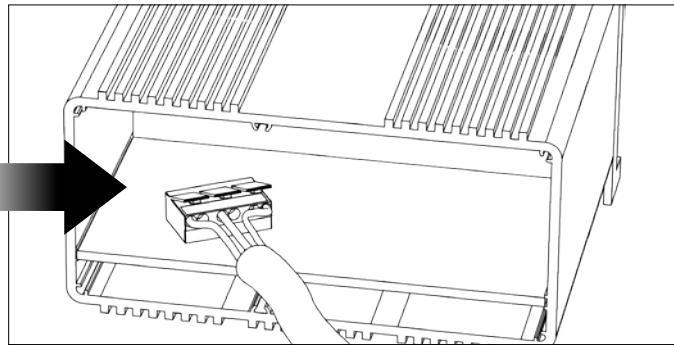
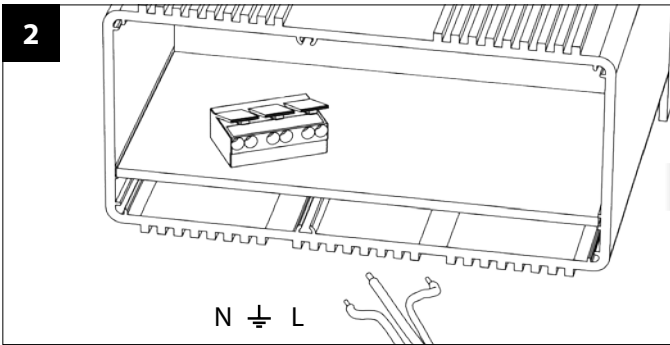


VPAC-1527
VPAC-1530
VPAC-1540

1501780
1501781
1501782



This product contains a light source of energy efficiency class E.



Cariitti Oy

www.cariitti.com



Subject to change.