



versaan

Catalogue 2025

Contents

Unity Sensors

S1

Pg4

S1S



S1E

Pg6



Integral Controllers

C1

Pg8

D1

Pg10

P1

Pg12



R1

Pg14

T1

Pg16

ISM



Why

The built environment accounts for 40% of total direct and indirect CO2 emissions globally. Lighting control is a key technology driving greener buildings.

Wireless

80% of buildings which will be occupied in 2050 already exist. Wireless retrofits are key to carbon mitigation.

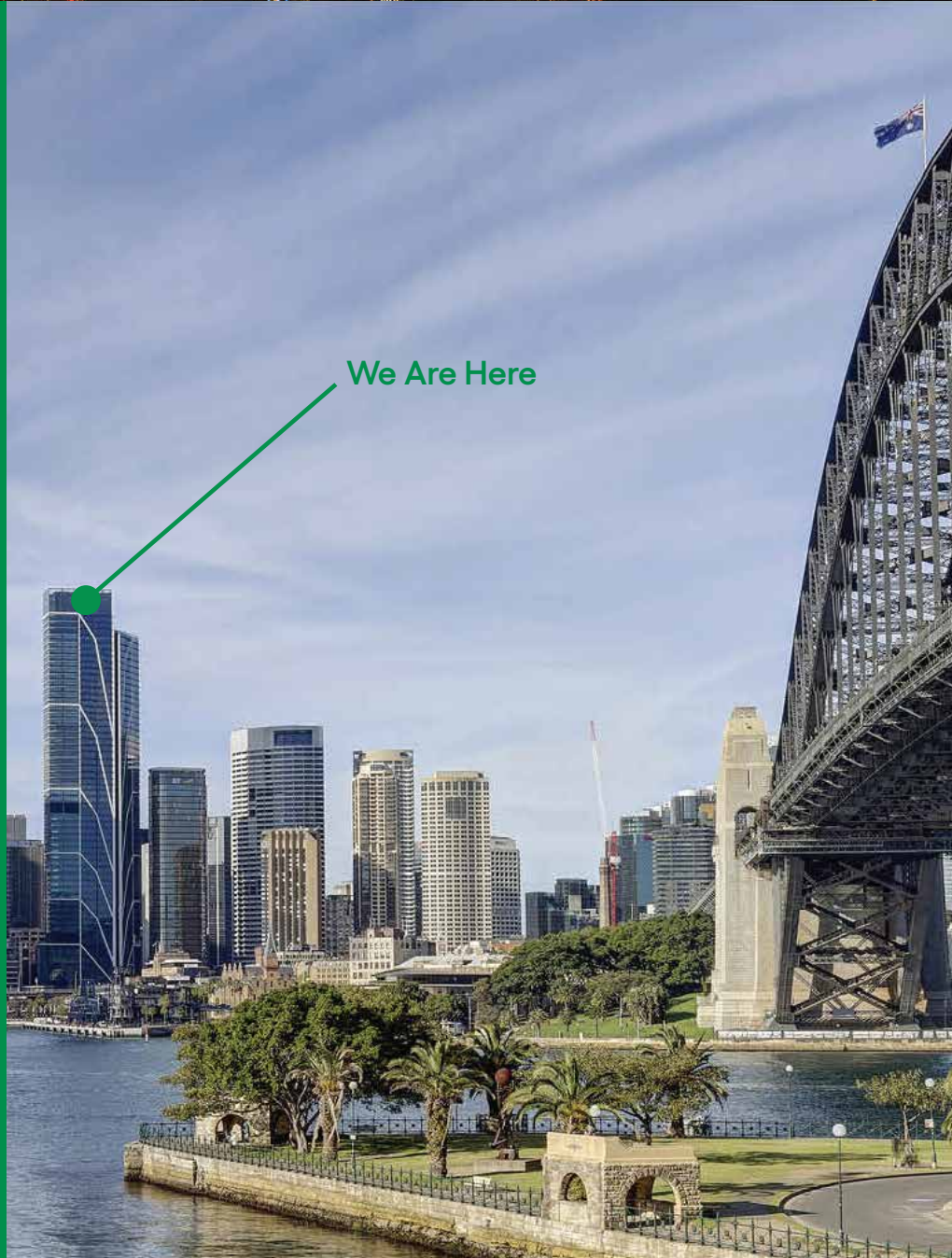
About Us

We design and manufacture Casambi based lighting control products for distribution globally, exporting to 11+ countries.

HQ Sales Force Tower, Sydney, Australia. Member of Greenhouse Climate Tech Hub.

Hong Kong based warehouse for easy distribution to our partners.

9 Products in the market with 16 by the end of 2025.



Unity S1

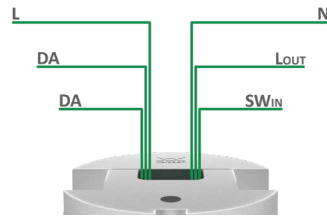
The Unity S1 redefines lighting control by combining Casambi wireless technology with our advanced all-in-one sensor providing DALI, Relay, Push-button Control, IP Protection and expansive Motion and Ambient Light detection. Engineered to manage commercial lighting at scale in buildings of any size, it delivers a complete control solution from a single device.



Features

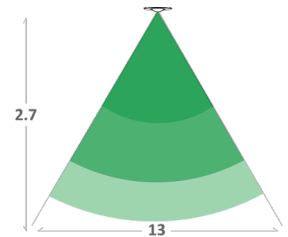
Control

Versatile and precise, the S1 delivers advanced control options for any lighting requirement. Featuring a DALI 50mA output and a robust 10A Relay output with 250A inrush, it ensures seamless integration with both digital and traditional systems. Added push button control allows for manual adjustments, putting intuitive control at your fingertips.



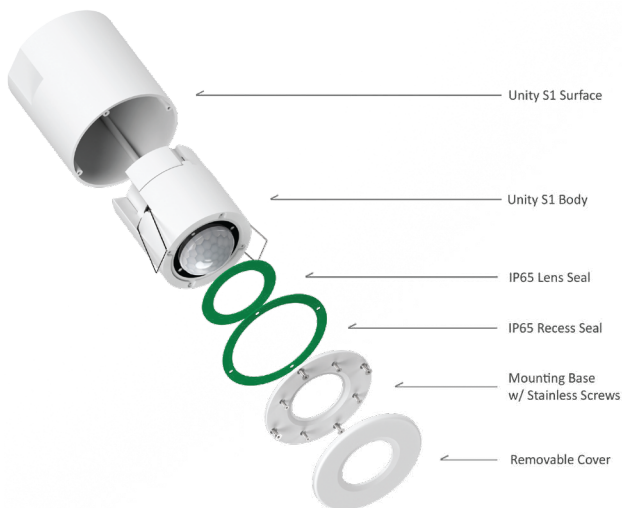
Range

Designed to perform, the S1's PIR sensor offers a substantial 13 metre detection range at a mounting height of 2.7 metres. This ensures reliable motion detection across expansive areas, from small rooms to large open spaces.



Versatility

Equipped for any setting, the S1 boasts an IP65 rating, making it a champion against dust and water. Its versatility ensures top performance indoors and outdoors, adapting effortlessly to varying environmental conditions.



Surface

Install it your way, S1's surface mounting accessory allows for flexible installation with 20mm exclusion areas for conduit through wiring. It maintains IP65 protection, combining durability with ease of integration.



Cover

Maintenance made simple, the S1's cover clips easily onto the sensor and is paintable, facilitating smooth integration with your architectural designs. Quick access for maintenance combined with aesthetic adaptability enhances both functionality and style.





Unity S1



Specifications

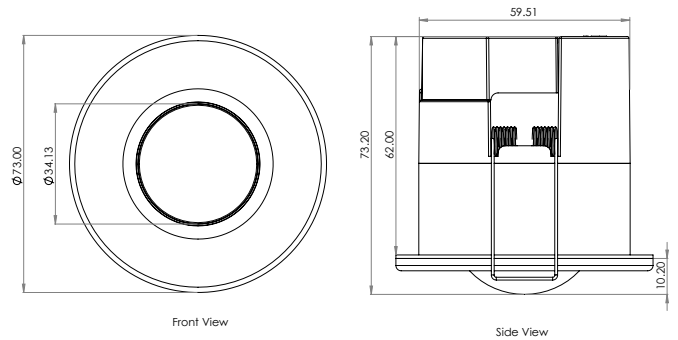
Order Codes

| Product SKU | Description |
|-------------|------------------------|
| VS-S1-LBW | S1 Sensor - White |
| VS-S1-SMW | S1 Surface Kit - White |

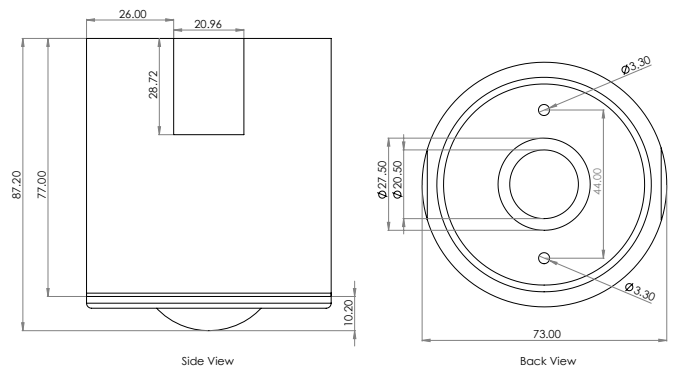
Technical Specification

| | |
|------------------------------|--|
| Control | Casambi |
| Supply | 220-240VAC 50/60Hz |
| Output | DALI 50mA/16.5VDC |
| Max DALI Load | Up to 25 Drivers |
| Output | Relay 10A Capacitive Relay 10A Inductive Relay 10A Resistive |
| Maximum Inrush | 250A/1ms, 140A/10ms |
| Input | 1x Momentary Switch Input |
| Lens | Fresnel |
| Sensor | PIR, Ambient Light |
| Light Detection Range | 1-999 Lux |
| Operating Temperature | -10 to 55°C |
| Wiring | Loop in/loop out (No Earth) |
| Terminal Capacity | 2.5mm ² |
| Material | Flame Retardant ABS+PC |
| Ingress Protection | IP65 - Recessed (Front Only) or Surface Mounted (All) |
| Cutout | 62-66mm |
| Transceiver Frequency | 2.4GHz ISM Band |
| Warranty | 5 Years |

Dimensions - VS-S1-LBW



Dimensions - VS-S1-SMW (with S1 installed)



Unity S1E

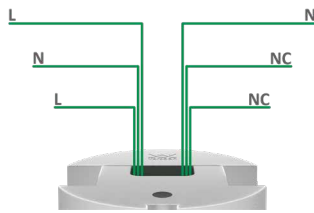
The Unity S1E expands wireless lighting control by combining Casambi technology with our advanced PIR sensor featuring expansive Occupancy and Ambient Light detection. Designed to control Casambi devices wirelessly, the Unity S1E provides a standalone, cost-effective solution to residential and commercial retrofit projects.



Features

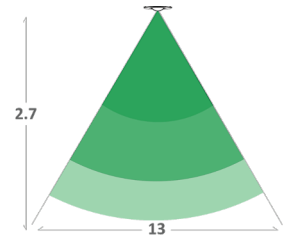
Control

Cost effective and precise, the S1E delivers Casambi wireless technology in our most economic PIR sensor yet. Perfect for retrofitting into existing buildings where the luminaire control output is external, via other Casambi devices like the Integral range.



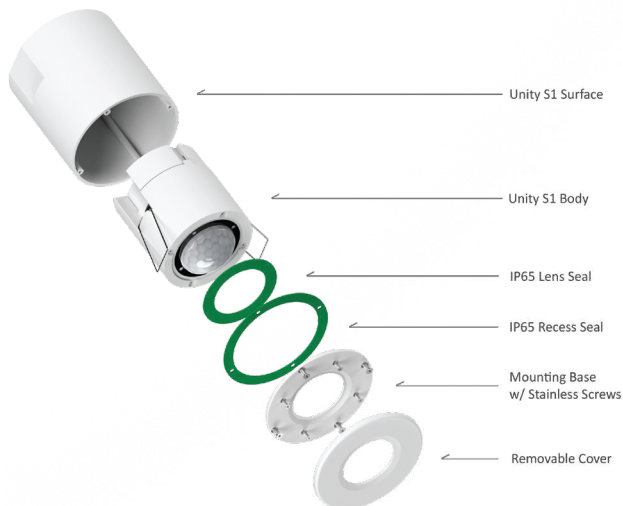
Range

Designed to perform, the S1E's PIR sensor offers a substantial 13 metre detection range at a mounting height of 2.7 metres. This ensures reliable occupancy detection across expansive areas, from small rooms to large open spaces.



Versatility

Equipped for any setting, the S1E boasts an IP65 rating, making it a champion against dust and water. Its versatility ensures top performance indoors and outdoors, adapting effortlessly to varying environmental conditions.



Surface

Install it your way, S1E's surface mounting accessory allows for flexible installation with 20mm exclusion areas for conduit through wiring. It maintains IP65 protection, combining durability with ease of integration.



Cover

Maintenance made simple, the S1E's cover clips easily onto the sensor and is paintable, facilitating smooth integration with your architectural designs. Quick access for maintenance combined with aesthetic adaptability enhances both functionality and style.





Unity S1E



Specifications

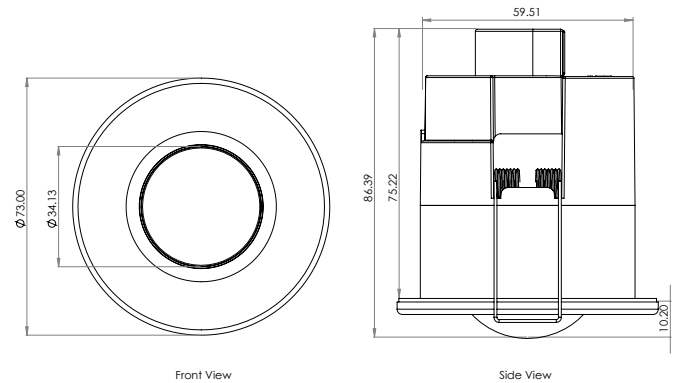
Order Codes

| Product SKU | Description |
|-------------|------------------------|
| VS-S1E-LBW | S1E Sensor - White |
| VS-S1-SMW | S1 Surface Kit - White |

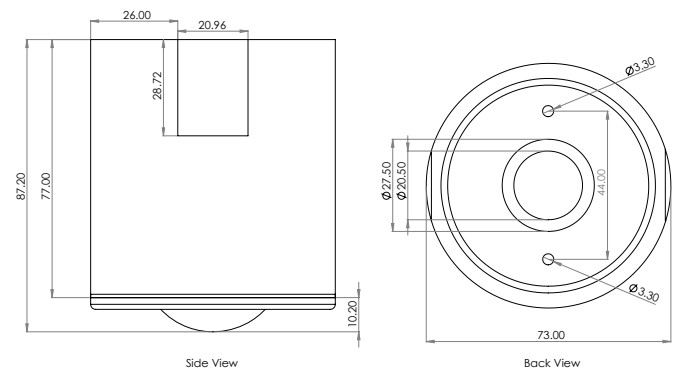
Technical Specification

| | |
|------------------------------|--|
| Control | Casambi |
| Supply | 220-240VAC 50/60Hz |
| Lens | Fresnel |
| Sensor | PIR, Ambient Light |
| Light Detection Range | 1-999 Lux |
| Operating Temperature | -10 to 55°C |
| Wiring | Loop in/loop out (No Earth) |
| Terminal Capacity | 2.5mm ² |
| Material | Flame Retardant ABS+PC |
| Ingress Protection | IP65 - Recessed (Front Only) or Surface Mounted (All) |
| Cutout | 62-66mm |
| Transceiver Frequency | 2.4GHz ISM Band |
| Warranty | 5 Years |

Dimensions - VS-S1E-LBW



Dimensions - VS-S1-SMW (with S1E installed)



Integral C1

Designed for small spaces like switch boxes, the Integral C1 offers five push button inputs to allow integration with traditional push button switches. Each push button input can be programmed via Casambi for on/off, scene selection, dimming and other functions. The C1 is part of the Integral range of controllers offering miniaturised design and expansive control of DALI, Phase-dim, Relay and PWM luminaires.



Features

Control

The Integral C1 offers full control of up to five push buttons. Each push button can control on/off, scenes, dimming and other functions offering full functionality. When integrated with Casambi's product eco-system, the C1 allows control of small rooms up to large buildings via the Casambi mesh network.



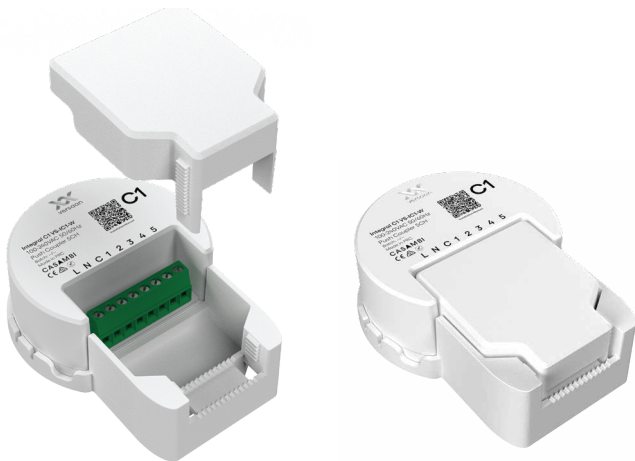
Compact

Boasting a small form factor the C1 fits into switch boxes allowing easy connection to traditional push buttons switches.



Versatile

The Integral Surface Kit allows any Integral product to be surface mounted while also providing strain relief with the built-in snap cable clamp. Two M3 screws are secured below the Integral during installation providing a streamlined aesthetic.



Identify

The built-in LED indicator makes identifying the C1 effortless. Useful when pre-commissioning Casambi networks before product is sent to site or when more than one Integral product is installed in the same switchbox.



Explore

Explore the Integral range, a comprehensive control solution featuring DALI, Phase-dim, Relay, PWM, and Push Button control—all seamlessly integrated into a single enclosure architecture. Designed to provide complete control of luminaires with support for multiple dimming and control types in residential and commercial projects.





Integral C1



Specifications

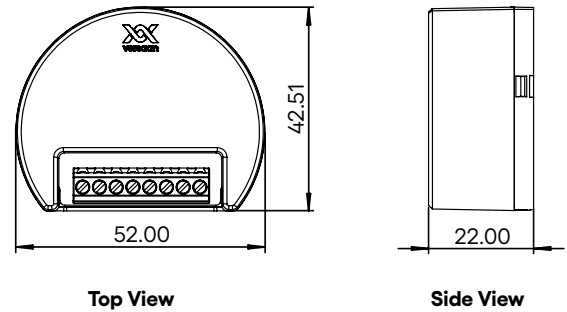
Order Codes

| Product SKU | Description |
|-------------|------------------------------|
| VS-IC1-W | Integral C1 - White |
| VS-ISM-W | Integral Surface Kit - White |

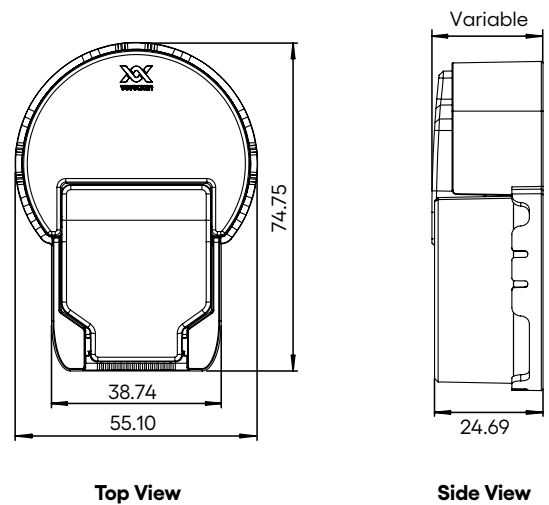
Technical Specification

| | |
|------------------------------|------------------------|
| Dimensions (VS-IC1-W) | 52x42.51x22mm |
| Dimensions (VS-ISM-W) | 74.75x55.10x24.69mm |
| Control | Casambi |
| Wireless Range | 98m/LR 180m (OA LOS) |
| Supply | 100-240VAC 50/60Hz |
| Input | 5x Push Buttons |
| Type | Live/Energised |
| Operating Temperature | 0 to 55C |
| Wiring | Loop in/loop out |
| Terminal Capacity | 1.5 mm ² |
| Mounting Screws | 2x M3 Flat Head |
| Screw Centres | 25mm |
| Material | Flame Retardant ABS+PC |
| Ingress Protection | IP20 |
| Transceiver Frequency | 2.4GHz ISM Band |
| Warranty | 5 Years |

Dimensions - VS-IC1-W (mm)



Dimensions - VS-ISM-W (with C1 Installed)



Integral D1

The Integral D1 is a miniaturised DALI controller providing a 50mA bus supply with DT6 and DT8 control for seamless integration. It features two push-button inputs, allowing for flexible manual control alongside automated DALI commands. Designed for seamless Casambi app integration, it enables intuitive wireless control, automation, and scene customization for various lighting applications. The D1 is part of the Integral range of controllers offering miniaturised design and expansive control of DALI, Phase-dim, Relay and PWM luminaires.



Features

Control

With a wide 100-277VAC power input, the Integral D1 provides DALI control for up to 25 DALI luminaires. DT6, DT8, Groups and up to 8 Short addresses can be controlled via the Casambi app. Two push button inputs allow control of scenes, dimming, on/off programming through Casambi.



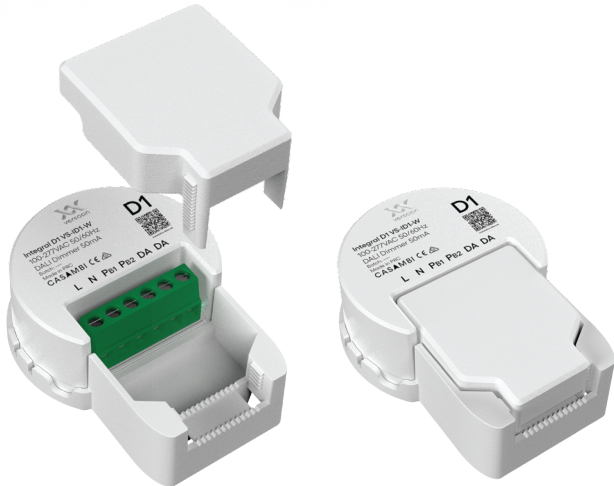
Compact

Boasting a small form factor the D1 fits into switch boxes allowing easy connection to traditional push buttons switches.



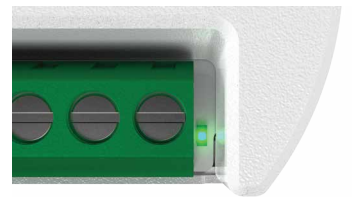
Versatile

The Integral Surface Kit allows any Integral product to be surface mounted while also providing strain relief with the built-in snap cable clamp. Two M3 screws are secured below the Integral during installation providing a streamlined aesthetic.



Identify

The built-in LED indicator makes identifying the D1 effortless. Useful when pre-commissioning Casambi networks before product is sent to site or when more than one Integral product is installed in the same switchbox.



Explore

Explore the Integral range, a comprehensive control solution featuring DALI, Phase-dim, Relay, PWM, and Push Button control—all seamlessly integrated into a single enclosure architecture. Designed to provide complete control of luminaires with support for multiple dimming and control types in residential and commercial projects.





Integral D1

Specifications

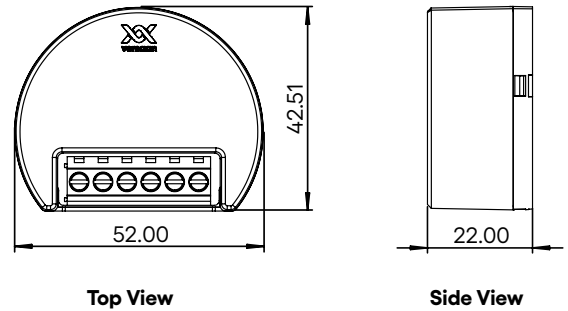
Order Codes

| Product SKU | Description |
|-------------|------------------------------|
| VS-ID1-W | Integral D1 - White |
| VS-ISM-W | Integral Surface Kit - White |

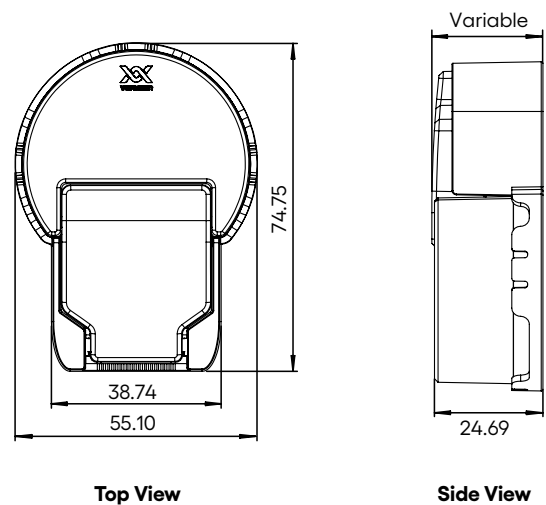
Technical Specification

| | |
|------------------------------|--------------------------|
| Dimensions (VS-ID1-W) | 52x42.51x22mm |
| Dimensions (VS-ISM-W) | 74.75x55.10x24.69mm |
| Control | Casambi (inc Long Range) |
| Wireless Range | 98m/LR 180m (OA LOS) |
| Supply | 100-277VAC 50/60Hz |
| Output | DALI 50mA/16.5VDC |
| Type | Up to 25 devices |
| Input | 2x Push Buttons |
| Ambient Temperature | 0 to 55C TA |
| Max Case Temperature | 60C TC |
| Wiring | Loop in/loop out |
| Terminal Capacity | 2.5 mm ² |
| Mounting Screws | 2x M3 Flat Head |
| Screw Centres | 25mm |
| Material | Flame Retardant ABS+PC |
| Ingress Protection | IP20 |
| Transceiver Frequency | 2.4GHz ISM Band |
| Warranty | 5 Years |

Dimensions - VS-ID1-W (mm)



Dimensions - VS-ISM-W (with D1 Installed)



Integral P1

The Integral P1 is a high-performance PWM lighting controller with a wide 12-48VDC input range and up to 380W output. It supports four independent channels for precise LED control of single colour, RGB, RGBW and TW, ensuring smooth, flicker-free dimming. Designed for seamless Casambi app integration, it enables intuitive wireless control, automation, and scene customization for various lighting applications. The P1 is part of the Integral range of controllers offering miniaturised design and expansive control of DALI, Phase-dim, Relay and PWM luminaires.



Features

Control

With a wide 12-48VDC input range and up to 380W output, the P1 is designed to efficiently manage extended LED strip installations. Supporting single-color, RGB, RGBW, and tunable white lighting, providing versatile and precise control for a variety of applications. High frequencies of 18kHz provide flicker free performance.



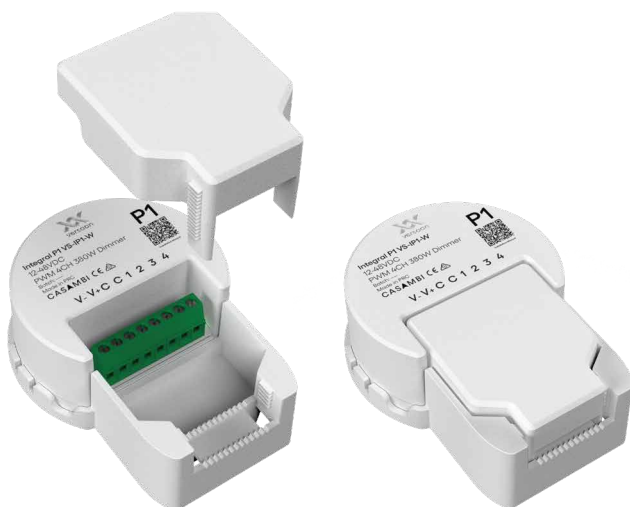
Compact

Boasting a small form factor the P1 fits into switch boxes allowing easy connection to traditional push buttons switches.



Versatile

The Integral Surface Kit allows any Integral product to be surface mounted while also providing strain relief with the built-in snap cable clamp. Two M3 screws are secured below the Integral during installation providing a streamlined aesthetic.



Identify

The built-in LED indicator makes identifying the P1 effortless. Useful when pre-commissioning Casambi networks before product is sent to site or when more than one Integral product is installed in the same switchbox.



Explore

Explore the Integral range, a comprehensive control solution featuring DALI, Phase-dim, Relay, PWM, and Push Button control—all seamlessly integrated into a single enclosure architecture. Designed to provide complete control of luminaires with support for multiple dimming and control types in residential and commercial projects.





Integral P1



Specifications

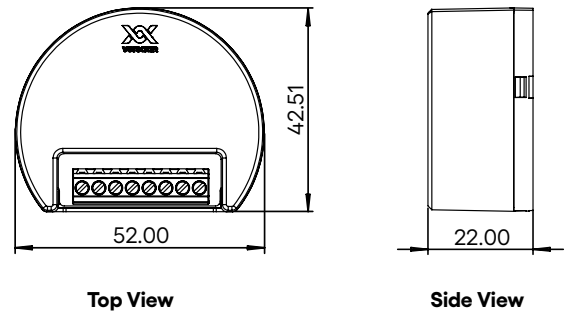
Order Codes

| Product SKU | Description |
|-------------|------------------------------|
| VS-IP1-W | Integral P1 - White |
| VS-ISM-W | Integral Surface Kit - White |

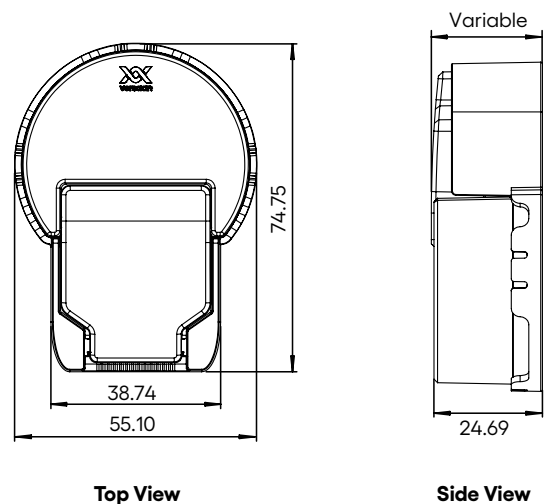
Technical Specification

| | |
|------------------------------|------------------------------|
| Dimensions (VS-IP1-W) | 52x42.51x22mm |
| Dimensions (VS-ISM-W) | 74.75x55.10x24.69mm |
| Control | Casambi (inc Long Range) |
| Wireless Range | 98m/LR 180m (OA LOS) |
| Supply | 12-48VDC |
| Output | 4CH PWM 12-48VDC |
| 12VDC Max Load | 15A/CH (16A All CH's) |
| 24VDC Max Load | 12.5A/CH (16A All CH's) |
| 48VDC Max Load | 8.2A/CH (8.2A All CH's) |
| Type | Single Colour, RGB, RGBW, TW |
| Frequency | 18kHz |
| Ambient Temperature | 0 to 50C TA |
| Max Case Temperature | 60C TC |
| Wiring | Loop in/loop out |
| Terminal Capacity | 1.5 mm ² |
| Mounting Screws | 2x M3 Flat Head |
| Screw Centres | 25mm |
| Material | Flame Retardant ABS+PC |
| Ingress Protection | IP20 |
| Transceiver Frequency | 2.4GHz ISM Band |
| Warranty | 5 Years |

Dimensions - VS-IP1-W (mm)



Dimensions - VS-ISM-W (with P1 Installed)



Integral R1

The Integral R1 is a versatile wireless relay engineered for effortless integration into smart control systems. Designed for high-performance switching, it supports up to 10A output, ensuring reliable operation of high-power loads. Equipped with three push-button inputs, it provides flexible manual control alongside advanced automated wireless functionality through Casambi. The R1 is part of the Integral range of controllers offering miniaturised design and expansive control of DALI, Phase-dim, Relay and PWM luminaires.



Features

Control

With a wide 100-277VAC power input, the Integral R1 provides on/off control for up to a 10A output with 250A inrush allowing connection of high inrush devices like LED lighting. Three push button inputs allow control of scenes, dimming, on/off programming through Casambi.



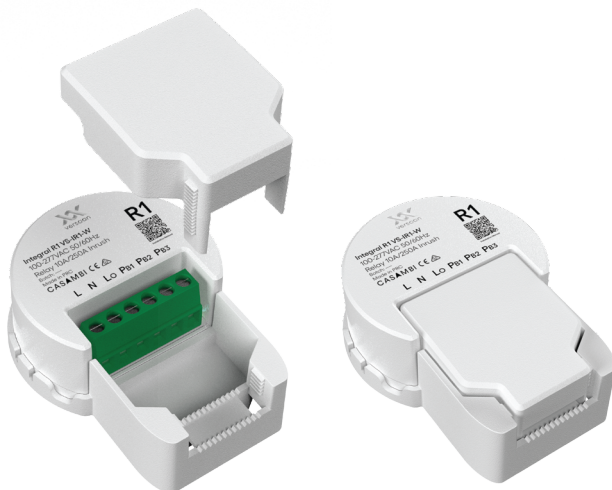
Compact

Boasting a small form factor the R1 fits into switch boxes allowing easy connection to traditional push buttons switches.



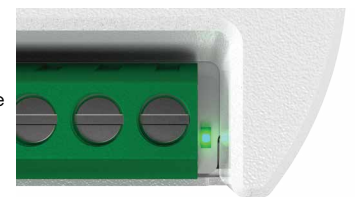
Versatile

The Integral Surface Kit allows any Integral product to be surface mounted while also providing strain relief with the built-in snap cable clamp. Two M3 screws are secured below the Integral during installation providing a streamlined aesthetic.



Identify

The built-in LED indicator makes identifying the R1 effortless. Useful when pre-commissioning Casambi networks before product is sent to site or when more than one Integral product is installed in the same switchbox.



Explore

Explore the Integral range, a comprehensive control solution featuring DALI, Phase-dim, Relay, PWM, and Push Button control—all seamlessly integrated into a single enclosure architecture. Designed to provide complete control of luminaires with support for multiple dimming and control types in residential and commercial projects.





Integral R1

Specifications

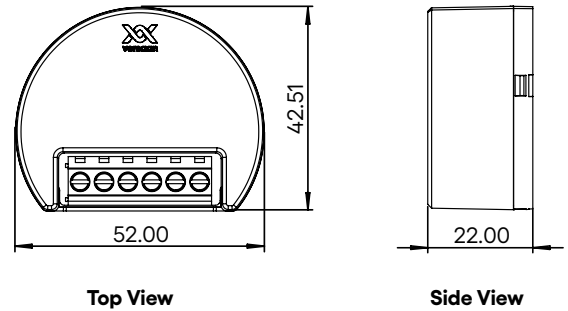
Order Codes

| Product SKU | Description |
|-------------|------------------------------|
| VS-IR1-W | Integral R1 - White |
| VS-ISM-W | Integral Surface Kit - White |

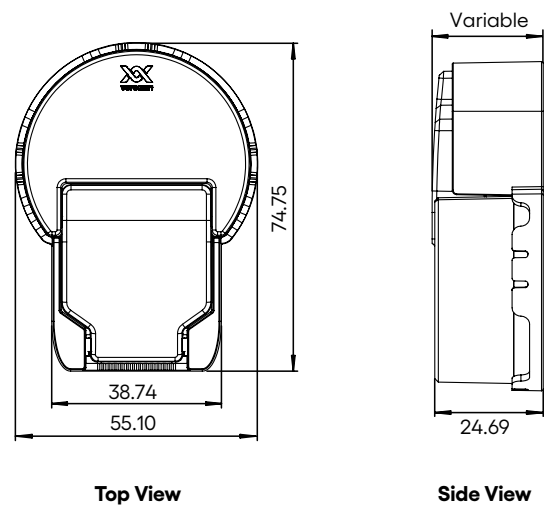
Technical Specification

| | |
|------------------------------|--|
| Dimensions (VS-IR1-W) | 52x42.51x22mm |
| Dimensions (VS-ISM-W) | 74.75x55.10x24.69mm |
| Control | Casambi (inc Long Range) |
| Wireless Range | 98m/LR 180m (OA LOS) |
| Supply | 100-277VAC 50/60Hz |
| Output | Relay 10A Capacitive Relay 10A Inductive Relay 10A Resistive |
| Max Inrush Current | 250A/1ms, 140A/10ms |
| Input | 3x Push Buttons |
| Ambient Temperature | 0 to 50C TA |
| Max Case Temperature | 60C TC |
| Wiring | Loop in/loop out |
| Terminal Capacity | 2.5 mm ² |
| Mounting Screws | 2x M3 Flat Head |
| Screw Centres | 25mm |
| Material | Flame Retardant ABS+PC |
| Ingress Protection | IP20 |
| Transceiver Frequency | 2.4GHz ISM Band |
| Warranty | 5 Years |

Dimensions - VS-IR1-W (mm)



Dimensions - VS-ISM-W (with R1 Installed)



Integral T1

The Integral T1 is a high-performance Casambi wireless phase dimmer designed for seamless integration into lighting systems. Capable of handling up to 300W of dimmable load with compatibility with many types of phase dimming devices. Equipped with three push-button inputs, it offers flexible manual control alongside advanced automated wireless functionality through Casambi. The T1 is part of the Integral range of controllers offering miniaturised design and expansive control of DALI, Phase-dim, Relay and PWM luminaires.



Features

Control

With a wide 100-277VAC power input, the Integral T1 provides 300 W of output with high 90A inrush current resilience. Three push button inputs allow control of scenes, dimming, on/off programming through Casambi.



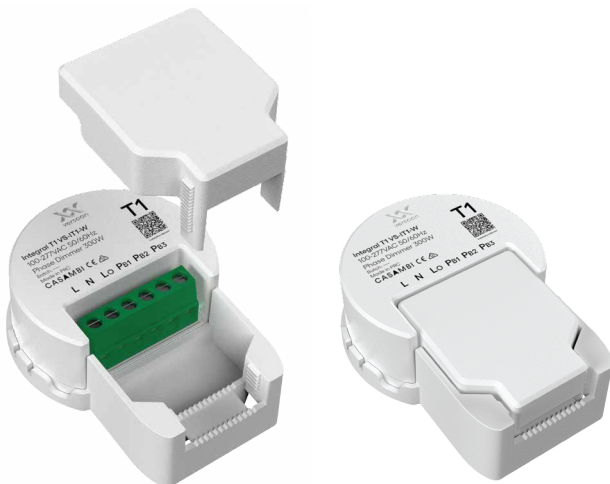
Compact

Boasting a small form factor the T1 fits into switch boxes allowing easy connection to traditional push buttons switches.



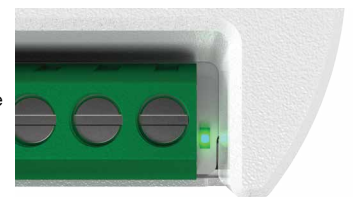
Versatile

The Integral Surface Kit allows any Integral product to be surface mounted while also providing strain relief with the built-in snap cable clamp. Two M3 screws are secured below the Integral during installation providing a streamlined aesthetic.



Identify

The built-in LED indicator makes identifying the T1 effortless. Useful when pre-commissioning Casambi networks before product is sent to site or when more than one Integral product is installed in the same switchbox.



Explore

Explore the Integral range, a comprehensive control solution featuring DALI, Phase-dim, Relay, PWM, and Push Button control—all seamlessly integrated into a single enclosure architecture. Designed to provide complete control of luminaires with support for multiple dimming and control types in residential and commercial projects.





Integral T1



Specifications

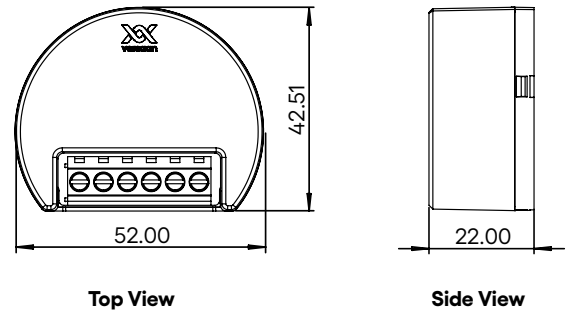
Order Codes

| Product SKU | Description |
|-------------|------------------------------|
| VS-IT1-W | Integral T1 - White |
| VS-ISM-W | Integral Surface Kit - White |

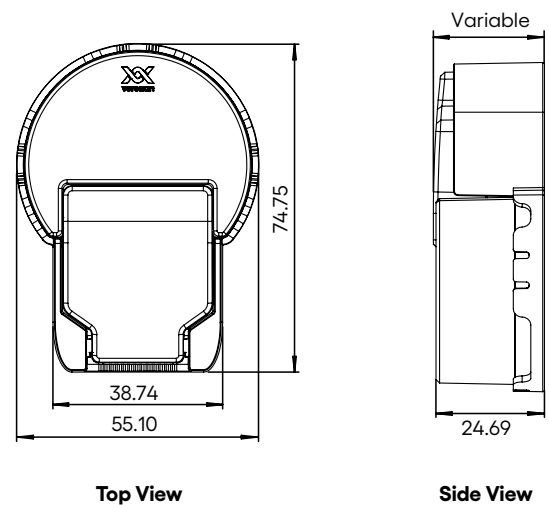
Technical Specification

| | |
|------------------------------|---|
| Dimensions (VS-IT1-W) | 52x42.51x22mm |
| Dimensions (VS-I-SMW) | 74.75x55.10x24.69mm |
| Control | Casambi (inc Long Range) |
| Wireless Range | 70m/LR 140m (OA LOS) |
| Supply | 100-277VAC 50/60Hz |
| Output | 300W Phase Dim |
| Type | Trailing Edge |
| Max Inrush Current | 90A @ 1ms |
| Protection | Short Circuit, Soft Start, Zero Crossing, Surge, Overheat |
| Input | 3x Push Buttons |
| Operating Temperature | 0 to 55C |
| Wiring | Loop in/loop out |
| Terminal Capacity | 2.5 mm ² |
| Mounting Screws | 2x M3 Flat Head |
| Screw Centres | 25mm |
| Material | Flame Retardant ABS+PC |
| Ingress Protection | IP20 |
| Transceiver Frequency | 2.4GHz ISM Band |
| Warranty | 5 Years |

Dimensions - VS-IT1-W (mm)



Dimensions - VS-I-SMW (with T1 Installed)





versaan.com