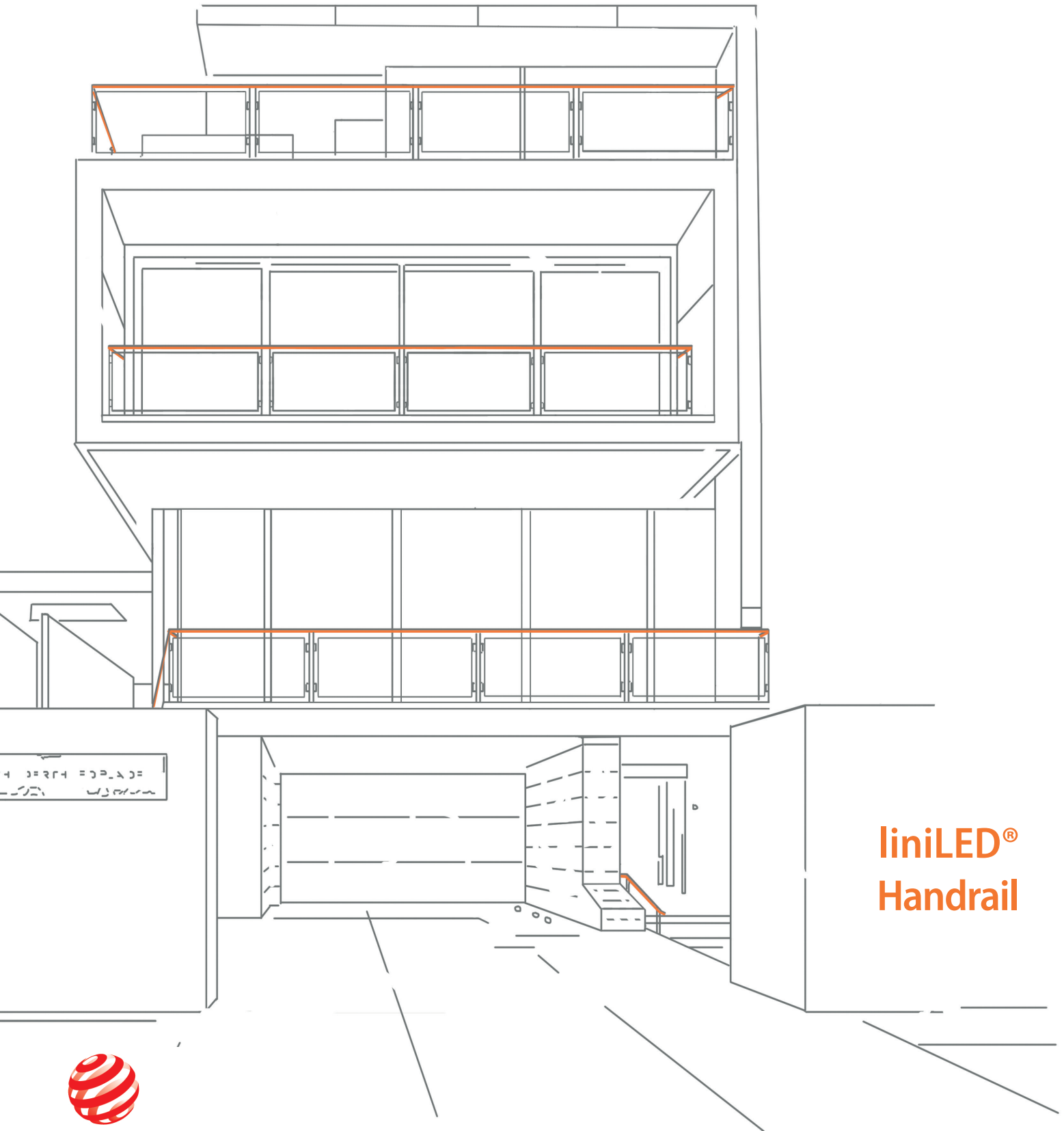


liniLED®



liniLED®
Handrail



reddot award 2015
winner

liniLED® Handrail



liniLED® Handrail. European quality & manufacturing.

The liniLED® Handrail is the result of a customized OEM project. The goal was to create a revolutionary LED based handrail system that provides functional lighting for a safe environment. By integrating the liniLED® Top LED strips (24 V DC) in the stainless steel liniLED® Handrail, the product is ideal for high-end indoor and outdoor projects in various sectors, such as: architecture, infrastructure, construction, health and the entertainment industry. The liniLED® Handrail has the same light benefits as a LED fixture: energy efficient with an expected lifetime of more than 50.000 hours. Ideal for a long lasting indoor and outdoor handrail solution.

LED strips | High-quality, flexible & energy efficient

The high-quality, flexible liniLED® Top LED strips have a unique co-extrusion technology with built-in reflection, which guarantees an optimal light output (24 V DC). The liniLED® Top LED strips are available in three luminous intensities (Deco, Power and Power Short Pitch) and several colours, such as: Warm White 2700K and 3000K, Natural White 4000K and Cold White 6500K. The Deco and Power versions are also available in the colours: red, green, blue and amber.

Handrail | Durable, luxurious & smart design

The liniLED® LED strips are fully integrated into the handrail. The liniLED® Handrail is made of stainless steel (AISI 316) and is therefore ideal for indoor and outdoor (IP65) usage. The liniLED® Handrails are available with an outer diameter of 42.4 mm and 48.3 mm.

The liniLED® Handrails can be wall mounted or post mounted. The maximum unit length of the handrail is 6 metres and can easily be connected mechanically or by welding. The specially designed liniLED® Handrail connectors ensure a continuous light line, without any interruption.

The liniLED® Handrail components are designed for quick and easy installation and maintenance. All necessary parts required for installation are readily available, such as: cables, connectors, profiles and brackets.

Why choose liniLED® Handrail?

The liniLED® Handrail is part of the liniLED® System: a concept which consists of high-quality, flexible LED strips (IP20, IP40, IP68), several light fixtures (IP65, IP68) and a number of accessories. The liniLED® assortment is developed and produced in Europe under exceptionally high quality standards. Therefore it can be applied both indoor and outdoor, as functional or decorative lighting.

The liniLED® Handrail is available in maximum unit lengths of 6 metres (other lengths are available on request).

liniLED® Handrail



USP's liniLED® Handrail

- European quality, design & manufacturing
- Durable materials, stainless steel (AISI 316)
- Energy efficient & dimmable
- Expected lifetime > 50,000 hours
- Indoor & outdoor
- Designed for quick & easy installation
- Astonishing light effect without interruption
- High-quality, flexible liniLED® Top LED strips
- Available in various colours & luminous intensities

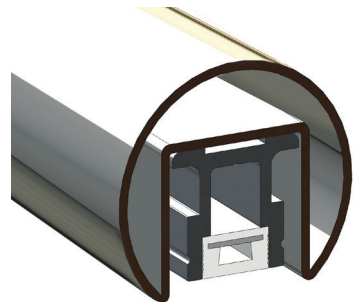


Luminous intensities, light output & power

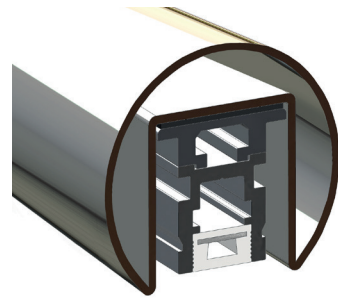
The high-quality, flexible liniLED® Top LED strips are fully integrated into the stainless steel handrail. Provided with a unique co-extrusion technology with built-in reflection, the liniLED® Top LED strips have an optimal light output (24 V DC). The LED strips are available in three luminous intensities (Deco max. 112 lm/m, Power max. 368 lm/m en PSP max. 741 lm/m) and several colours: Warm White 2700K and 3000K, Natural White 4000K and Cold White 6500K. The Deco and Power versions are also available in the colours: red, green, blue and amber.

Indoor & outdoor

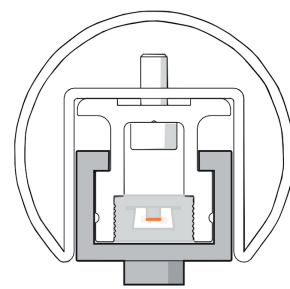
The liniLED® Handrails are available with a diameter of 42.4 mm and 48.3 mm. Both types can be applied indoor and outdoor, but using the 42.4 mm for indoor projects and the 48.3 mm for outdoor projects is recommended.



Round Ø 42.4 mm



Round Ø 48.3 mm



Cross section of the round handrail with LED strip

Wall or post mounting & infill options

The liniLED® Handrails can be wall mounted or post mounted*. All components are designed for quick installation and maintenance. In case of post mounting it is possible to install the liniLED® Handrail with several infill options, e.g. glass, cables, railings, etc.



Wall mounting



Post mounting



Glass infill option

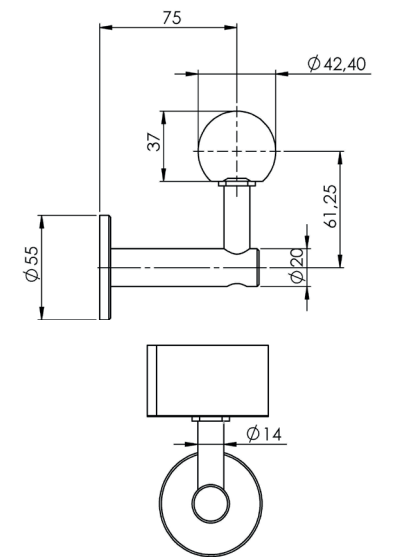
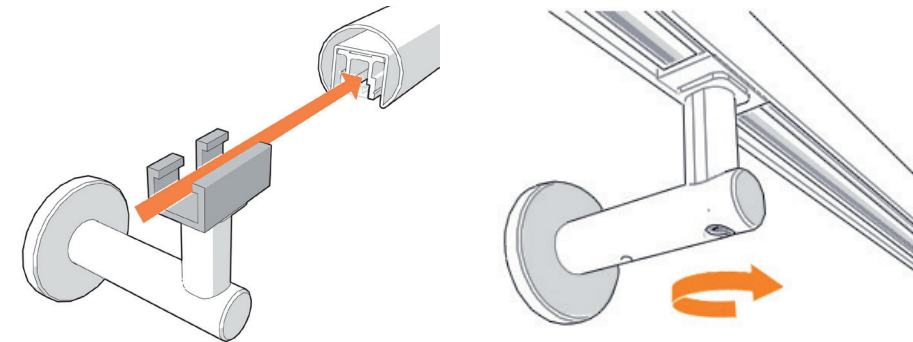
*NOTE: Post and wall bracket spacing/ height must be determined by a licensed architect or structural engineer as this will vary depending on local rules and guide lines.





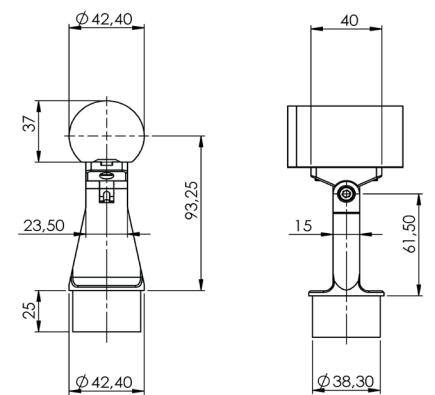
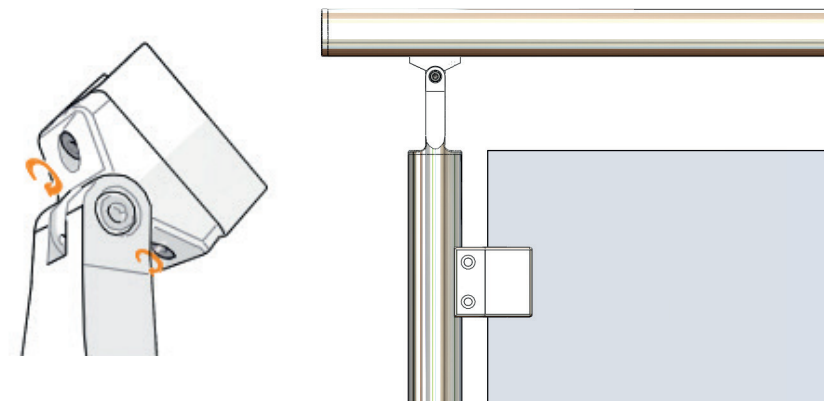
Wall mounting

The wall bracket is designed for quick and easy installation. As shown on the image below, the position of the bracket can easily be modified*. Due to the special design, the wall bracket can move freely in the profile to ensure a continuous light line.



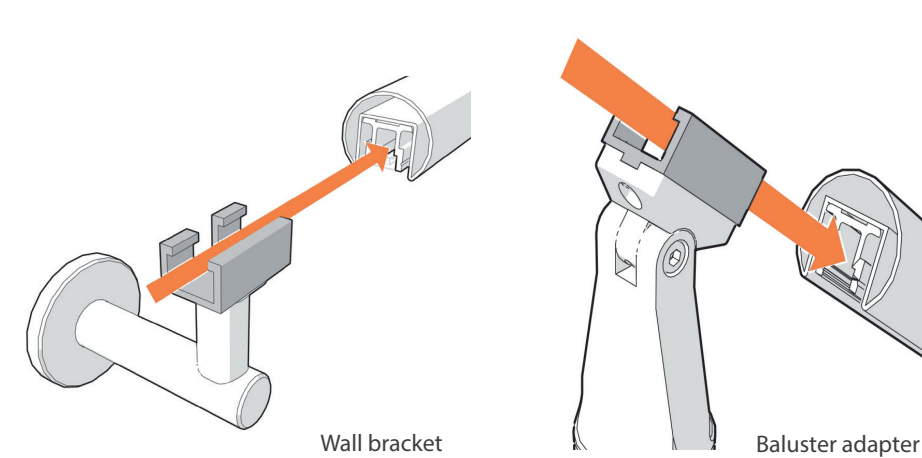
Post mounting

As well as the wall bracket, the position of the adapter can easily be adjusted to ensure a continuous light line. The liniLED® Handrail can be delivered with several infill options, such as: glass, cables and railings. It is possible to prefabricate the posts. For example: if glass infill is desired, the posts can be customized with glass clamps. Ask us about the customized options.



Continuous line of light & easy installation

The wall brackets and baluster adapters are designed to move freely within the profile. When assembling the handrail, the position of the brackets and adapters can easily be modified. As shown on the image below, the power cables are fully integrated in the brackets and adapters.



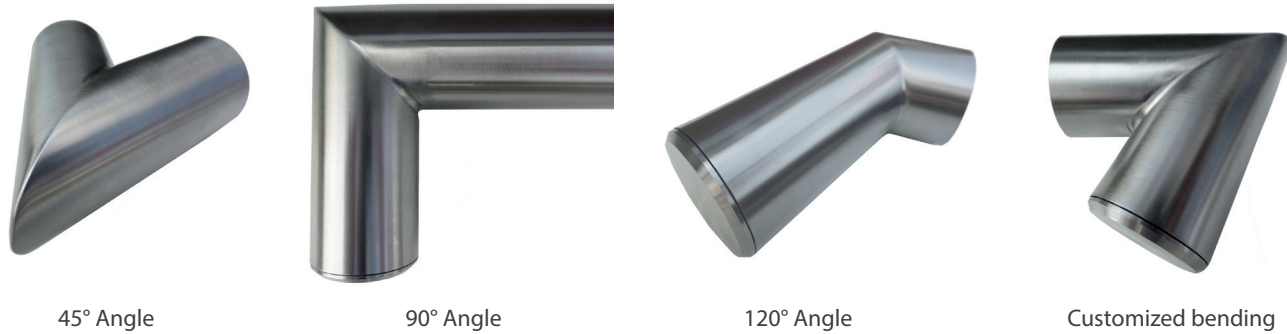
*NOTE: Post and wall bracket spacing/ height must be determined by a licensed architect or structural engineer as this will vary depending on local rules and guide lines.

liniLED® Handrail



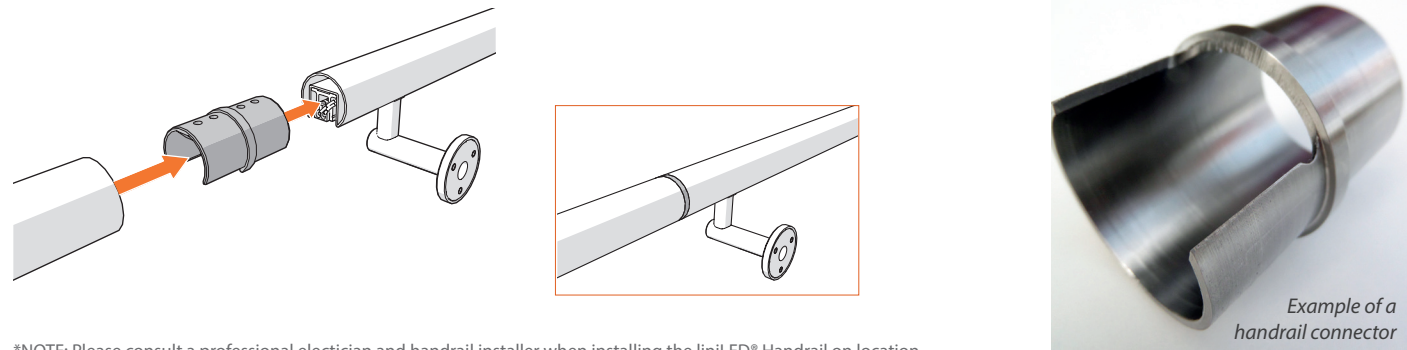
Standard & customized angles

There are three standard angles for the liniLED® Handrails: 45°, 90° and 120°. Other angles can be customized upon request, for instance: ADA compliant (ADA= *The Americans with Disabilities Act*).



Connecting

The liniLED® Handrails can easily be connected with several connectors. One of our specialties is to translate ideas and requirements into customized solutions and to deliver the liniLED® Handrail pre-assembled*.



*NOTE: Please consult a professional electrician and handrail installer when installing the liniLED® Handrail on location.

Procedure

To create a customized quotation, fully dimensioned plans, DWG files and detailed drawings are needed. Dimensions usually vary from the architectural plan, thus it is important that actual field dimensions are used: consult a professional handrail installer. In addition to the fully dimensioned plans and drawings, an electrical contractor and/ or lighting designer should be consulted to obtain the best possible light result.



How to compose your liniLED® Handrail

As each lighting project is unique, all the components of the liniLED® Handrail are professionally customized. Therefore it is of great importance to provide fully dimensioned plans, DWG files and detailed drawings, in addition to the useful menu below.

Environment* <input type="checkbox"/> Indoor <input type="checkbox"/> Outdoor	Mounting <input type="checkbox"/> Wall mounted <input type="checkbox"/> Post mounted	liniLED® Top LED strip Deco <input type="checkbox"/> Warm White 2700K <input type="checkbox"/> Warm White 3000K <input type="checkbox"/> Natural White 4000K <input type="checkbox"/> Cold White 6500K <input type="checkbox"/> Red <input type="checkbox"/> Green <input type="checkbox"/> Blue <input type="checkbox"/> Amber	liniLED® Top LED strip Power <input type="checkbox"/> Warm White 2700K <input type="checkbox"/> Warm White 3000K <input type="checkbox"/> Natural White 4000K <input type="checkbox"/> Cold White 6500K <input type="checkbox"/> Red <input type="checkbox"/> Green <input type="checkbox"/> Blue <input type="checkbox"/> Amber	liniLED® Top LED strip Power Short Pitch <input type="checkbox"/> Warm White 2700K <input type="checkbox"/> Warm White 3000K <input type="checkbox"/> Natural White 4000K <input type="checkbox"/> Cold White 6500K Bending <input type="checkbox"/> 45° x ... (qty) <input type="checkbox"/> 90° x ... (qty) <input type="checkbox"/> 120° x ... (qty) <input type="checkbox"/> Custom
Size <input type="checkbox"/> 42.4 mm <input type="checkbox"/> 48.3 mm Total length: __ m	Infill (Post) <input type="checkbox"/> Glass <input type="checkbox"/> Railing <input type="checkbox"/> Cables <input type="checkbox"/> Custom			

Additional information:

.....

.....

.....

.....

.....

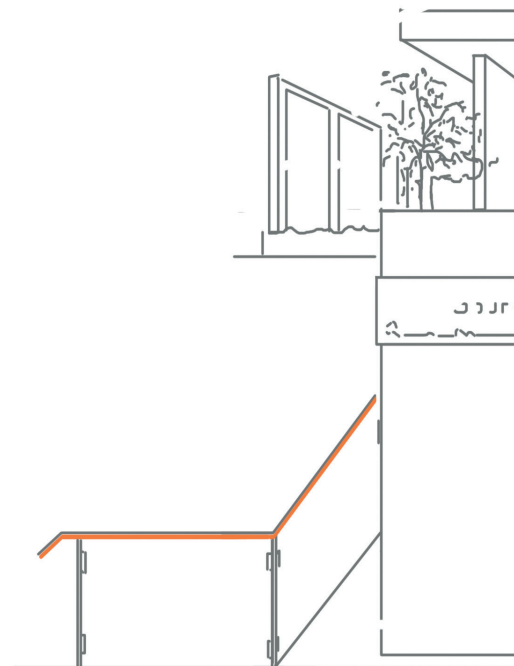
For more information about the liniLED® Handrail, please contact us. We will be happy to provide you with all the necessary information and are looking forward to advising you about the best available options for your project. Visit our website for the latest information: www.liniLED.com.

*Both types can be applied indoor and outdoor, but using the 42.4 mm for indoor projects and the 48.3 mm for outdoor projects is recommended.

Airports
Train & Metro stations
Shopping centres
Theatres & Cinemas
Docks & Parks
Hotels
Pedestrian areas
Hospitals & Health industry
Offices
Sport stadiums
Private residences
Universities & High schools

Triolight BV
Hermesweg 23-25
3771 ND Barneveld
The Netherlands

T: +31 (0)342 450 506
F: +31 (0)342 450 232
E: info@liniLED.com
www.liniLED.com



Innovative LED-based handrail system